

Please read and save these instructions. Read carefully before attempting to assemble, install, operate or maintain the product described. Protect yourself and others by observing all safety information. Failure to comply with instructions could result in personal injury and/or property damage! Retain instructions for future reference.



CAMPBELL HAUSFELD®

Oil-Lubricated Compressors

Description

This oil-lubricated compressor is designed for do-it-yourselfers with a variety of home and automotive jobs. These compressors can power spray guns, impact wrenches and other tools. Compressed air from this unit will contain moisture. Install a water filter or air dryer if application requires dry air.

Safety Guidelines

This manual contains information that is very important to know and understand. This information is provided for SAFETY and to PREVENT EQUIPMENT PROBLEMS. To help recognize this information, observe the following symbols.

▲ DANGER *Danger indicates an imminently hazardous situation which, if not avoided, WILL result in death or serious injury.*

▲ WARNING *Warning indicates a potentially hazardous situation which, if not avoided, COULD result in death or serious injury.*

▲ CAUTION *Caution indicates a potentially hazardous situation which, if not avoided, MAY result in minor or moderate injury.*

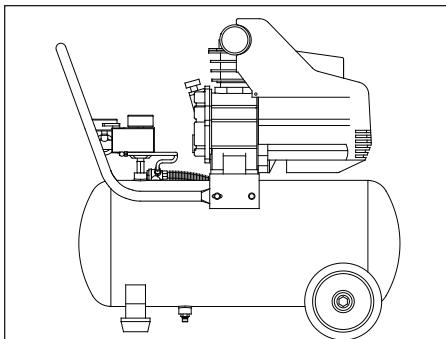
NOTICE *Notice indicates important information, that if not followed, may cause damage to equipment.*

Unpacking

After unpacking the unit, inspect carefully for any damage that may have occurred during transit. Make sure to tighten fittings, bolts, etc., before putting unit into service. In case of questions, damaged or missing parts,



DO NOT RETURN THE PRODUCT TO THE RETAILER!



Record the Model No., Serial No. and date of purchase located on the base below the pump in the space below.

Model No. _____

Serial No. _____

Date of purchase _____

Retain these numbers for future reference.

please call 1-800-543-6400 for customer assistance. Have the serial number, model number, and parts list (with missing parts circled) before calling.

General Safety Information CALIFORNIA PROPOSITION 65

▲ WARNING *This product or its power cord may contain chemicals known to the State of California to cause cancer and birth defects or other reproductive harm. Wash hands after handling.*

▲ WARNING *You can create dust when you cut, sand, drill or grind materials such as wood, paint, metal, concrete, cement, or other masonry. This dust often contains chemicals known to cause cancer, birth defects, or other reproductive harm. Wear protective gear.*



▲ DANGER

Breathable Air Warning

This compressor/pump is not equipped and should not be used "as is" to supply breathing quality air. For any application of air for human consumption, the air compressor/pump will need to be fitted with suitable in-line safety and alarm equipment. This additional equipment is necessary to properly filter and purify the air to meet minimal specifications for Grade D breathing as described in Compressed Gas Association Commodity Specification G 7.1 - 1966, OSHA 29 CFR 1910.134, and/or Canadian Standards Associations (CSA).

DISCLAIMER OF WARRANTIES

In the event the compressor is used for the purpose of breathing air application and proper in-line safety and alarm equipment is not simultaneously used, existing warranties shall be voided, and the manufacturer disclaims any liability whatsoever for any loss, personal injury or damage.

GENERAL INFORMATION

▲ WARNING *Do not operate unit if damaged during shipping, handling or use. Damage may result in bursting and cause injury or property damage.*

▲ WARNING *Do not run unattended. Leaving compressor in AUTO position may allow it to turn on inadvertently. To prevent this and possible damage from power surge, turn to OFF position after each use.*

REMINDER: Keep your dated proof of purchase for warranty purposes! Attach it to this manual or file it for safekeeping.

General Safety Information (Continued)

Since the air compressor and other components (filters, lubricators, hoses, etc.) used, make up a high pressure pumping system, the following safety precautions must be observed at all times:

1. Read all manuals included with this product carefully. Be thoroughly familiar with the controls and the proper use of the equipment.

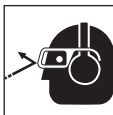


2. Follow all local electrical and safety codes as well as in the US, National Electrical Code (NEC) and Occupational Safety and Health Act (OSHA).

3. Only persons well acquainted with these rules of safe operation should be allowed to use the compressor.

4. Keep visitors away and NEVER allow children in the work area.

5. Wear safety glasses and use hearing protection when operating the pump or unit.



6. Do not stand on or use the pump or unit as a handhold.

7. Before each use, inspect compressed air system and electrical components for signs of damage, deterioration, weakness or leakage. Repair or replace defective items before using.

8. Check all fasteners at frequent intervals for proper tightness.

⚠ WARNING *Motors, electrical equipment and controls can cause electrical arcs that will ignite a flammable gas or vapor. Never operate or repair the unit near a flammable gas or vapor. Never store flammable liquids or gases in the vicinity of the compressor.*



⚠ CAUTION *Compressor parts may be hot even if the unit is stopped.*



9. Keep fingers away from a running compressor; fast moving and hot parts will cause injury and/or burns.

10. If the equipment should start to abnormally vibrate, STOP the engine/motor and check immediately for the cause. Vibration is generally a warning of trouble.

11. To reduce fire hazard, keep engine/motor exterior free of oil, solvent, or grease.



⚠ WARNING *Never remove or attempt to adjust safety valve. Keep safety valve free from paint and other accumulations.*

⚠ DANGER *Never attempt to repair or modify a tank! Welding, drilling or any other modification will weaken the tank resulting in damage from rupture or explosion. Always replace worn or damaged tanks.*



⚠ WARNING *Drain liquid from tank daily.*

12. Tanks rust from moisture build-up, which weakens the tank. Make sure to drain tank daily and inspect periodically for unsafe conditions such as rust formation and corrosion.

13. Fast moving air will stir up dust and debris which may be harmful. Release air slowly when draining moisture or depressurizing the compressor system.

SPRAYING PRECAUTIONS

⚠ WARNING *Do not spray flammable materials in vicinity of open flame or near ignition sources including the compressor unit.*

14. Do not smoke when spraying paint, insecticides, or other flammable substances.

15. Use a face mask/respirator when spraying and spray in a well ventilated area to prevent health and fire hazards.

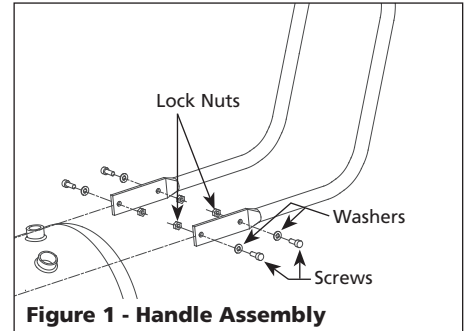


16. Do not direct paint or other sprayed material at the compressor. Locate compressor as far away from the spraying area as possible to minimize overspray accumulation on the compressor.

17. When spraying or cleaning with solvents or toxic chemicals, follow the instructions provided by the chemical manufacturer.

Assembly

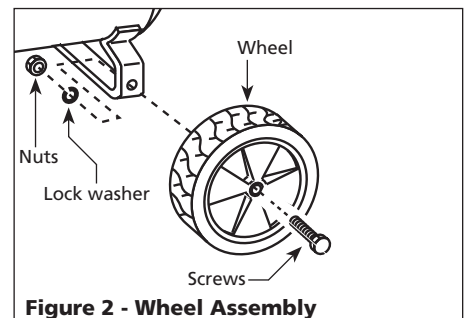
HANDLE ASSEMBLY (Figure 1)



1. Place ends of handle around tank, behind the mounting plate. Align holes in handle to holes in mounting plate.
2. Assemble four (4) screws and washers (from parts package) through holes in mounting plate and handle. Secure with lock nuts.

⚠ WARNING *Never use the handle to lift the unit completely off the ground. Only use the handle to lift one end so the wheels may be used to move the unit.*

WHEEL ASSEMBLY (Figure 2)



Wheel assembly kit includes:

- 2 wheels*
- 2 axle bolts*
- 2 lock washers*
- 2 nuts*

The items marked with an asterisk (*) were shipped loose with the unit.

1. Wheel has an offset hub. With offset hub facing axle iron, assemble axle bolt through holes in wheel and axle iron.

Assembly (Continued)

- Place lock washer on axle bolt. Then tighten nut securely to threaded part of axle bolt.
- Repeat procedure with other side.

LUBRICATION

CAUTION THIS UNIT IS SHIPPED WITHOUT OIL IN PUMP! Follow lubrication instructions before operating compressor.

Use oil shipped with the compressor. **Do not use regular automotive oil such as 10W-30.** Additives in regular motor oil can cause valve deposits and reduce pump life. For maximum pump life, drain and replace oil after the first few hours of run time.

The compressor pump takes approximately 280 ml (9.5 ozs.) of oil. The sight glass, located on the crankcase portion of the pump, is marked with "max" and "min" levels. Avoid overfilling by adding oil gradually and checking the oil level with the sight glass several times. Add enough oil to reach the "max" level on the sight glass. Proper oil level is illustrated in Figure 3.

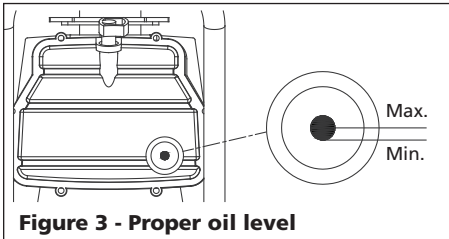


Figure 3 - Proper oil level

INTAKE FILTER

Thread the intake air filter into the threaded opening in the side of the compressor head as illustrated in Figure 4. Tighten gently with a wrench.

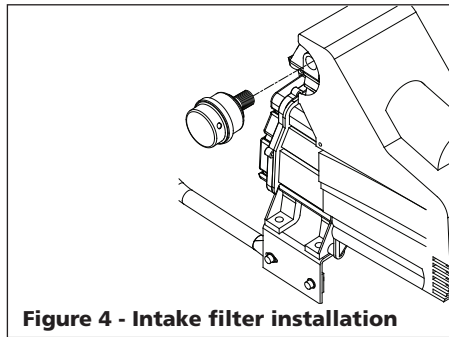


Figure 4 - Intake filter installation

Installation

LOCATION

It is extremely important to install the compressor in a clean, well ventilated area where the surrounding air temperature will not be more than 100°F.

A minimum clearance of 18 inches between the compressor and a wall is required because objects could obstruct air flow.

CAUTION Do not locate the compressor air inlet near steam, paint spray, sandblast areas or any other source of contamination. This debris will damage the motor.

ELECTRICAL INSTALLATION

WARNING All wiring and electrical connections should be performed by a qualified electrician. Installation must be in accordance with local codes and national electrical codes.

WIRING

- Local electrical wiring codes differ from area to area. Source wiring, plug and protector must be rated for at least the amperage and voltage indicated on motor nameplate, and meet all electrical codes for this minimum.
- Use a slow blow fuse or a circuit breaker.
- Make sure the product is connected to an outlet having the same configuration as the plug. This product must be grounded. In the event of an electrical short circuit, grounding reduces risk of electrical shock by providing an escape wire for electric current. This product is equipped with a cord having a grounding wire with an appropriate grounding plug. Plug must be plugged into an outlet that is properly installed and grounded in accordance with all local codes and ordinances.

CAUTION Overheating, short circuiting and fire damage will result from inadequate wiring.

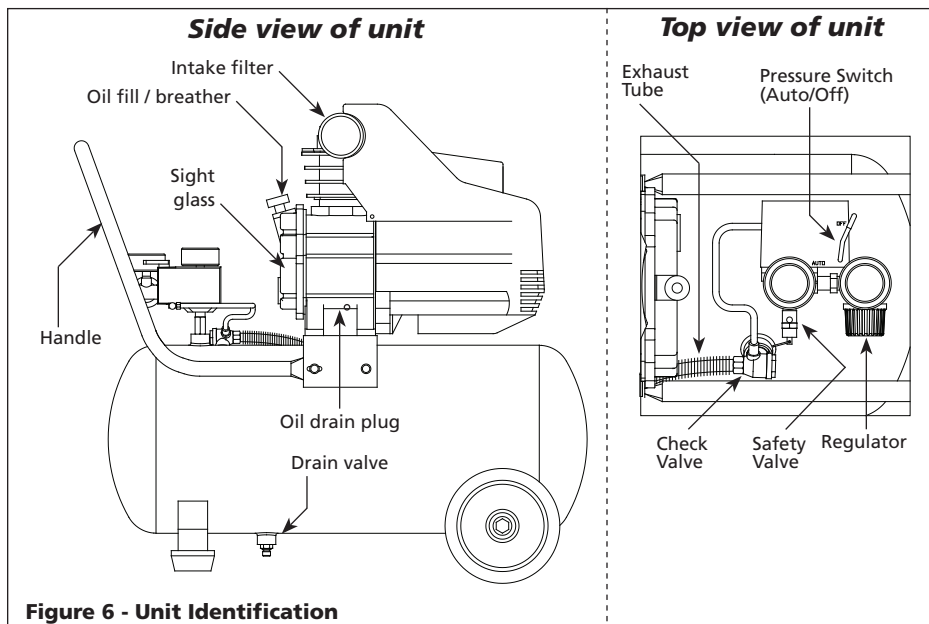


Figure 6 - Unit Identification

Extension cords			
Length of Cord (ft)	25	50	100
Gauge of Cord	14	12	10

Operation

- **Pressure Switch** - Auto/Off Switch (Figure 7) - In the **AUTO** position, the compressor shuts off automatically when tank pressure reaches the maximum preset pressure. In the **OFF** position, the compressor will not operate. This switch should be in the **OFF** position when connecting or disconnecting the power cord from the electrical outlet or when changing air tools.

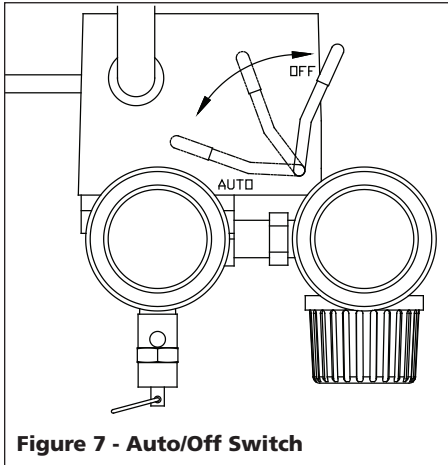


Figure 7 - Auto/Off Switch

- **Regulator** - The regulator controls the amount of air pressure released at the hose outlet.
- **ASME Safety Valve** - This valve automatically releases air if the tank pressure exceeds the preset maximum.
- **Exhaust Tube** - This tube carries compressed air from the pump to the check valve. This tube becomes very hot during use. To avoid the risk of severe burns, never touch the exhaust tube.
- **Check Valve** - A one-way valve that allows air to enter the tank, but prevents air in the tank from flowing back into the compressor pump.
- **Handle** - Designed to move the compressor.

▲ WARNING *Never use the handle on wheeled units to lift the unit completely off the ground.*

MOISTURE IN COMPRESSED AIR

Moisture in compressed air will form into droplets as it comes from an air compressor pump. When humidity is high or when a compressor is in continuous use for an extended period of time, this moisture will collect in the tank. When using a paint spray or sandblast gun, this water will be carried from the tank through the hose, and out of the gun as droplets mixed with the spray material.

IMPORTANT: This condensation will cause water spots in a paint job, especially when spraying other than water based paints. If sandblasting, it will cause the sand to cake and clog the gun, rendering it ineffective. A filter in the air line (MP3105), located as near to the gun as possible, will help eliminate this moisture.

- **Drain Valve** - This valve is located on the bottom of the tank. Use this valve to drain moisture from the tank daily to reduce the risk of corrosion.

Reduce tank pressure below 10 psi, then drain moisture from tank daily to avoid tank corrosion. Drain moisture from tank by opening the drain valve located underneath the tank.

BEFORE FIRST START-UP BREAK-IN PROCEDURE

(Complete this procedure before using compressor for the first time. Once completed, it is not necessary to repeat.)

1. Turn regulator knob fully clockwise (to the right) to open air flow.
2. Turn on/off switch to OFF position.
3. Plug in power cord.
4. Turn on/off switch to AUTO position and run compressor for 30 minutes.
5. Turn on/off switch to OFF position.
6. Unplug power cord- open drain valve.

The compressor is now ready for use.

BEFORE FIRST START-UP OPERATING PROCEDURE

1. Turn regulator knob fully counter clockwise (to the left) to close air flow.
2. Connect air hose to outlet of regulator.
3. Turn on/off switch to OFF position.
4. Plug in power cord.
5. Turn on/off switch to AUTO position and let compressor run until it reaches automatic shutoff pressure.
6. Attach tire chuck or tool to end of hose.

7. Turn regulator knob clockwise (to the right) to desired pressure of tool being used.

On/Off cycling of compressor

In the AUTO position, the compressor pumps air into the tank. When a shutoff (preset "cut-out") pressure is reached, the compressor automatically shuts off.

If the compressor is left in the AUTO position and air is depleted from the tank by use of a tire chuck, tool, etc., the compressor will restart automatically at its preset "cut-in" pressure. When a tool is being used continuously, the compressor will cycle on and off automatically.

In the OFF position, the pressure switch cannot function and the compressor will not operate. Make sure switch is in OFF position when connecting or disconnecting power cord from electrical outlet.

ASME SAFETY VALVE

▲ WARNING *Do not remove or attempt to adjust the safety valve!*

Check the safety valve by performing the following steps:

1. Plug the compressor in and run until shut off pressure is reached (see Operating Procedure).
2. Wearing safety glasses, pull the ring on the safety valve (see Figures 6 and 8) to release pressure from compressor tank. Use your other hand to deflect fast-moving air from being directed toward your face.

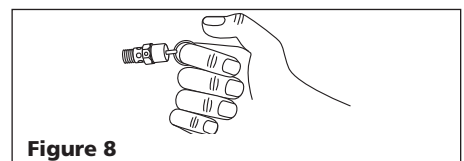


Figure 8

Operation (Continued)

- The safety valve should automatically close at approximately 40 psi - 50 psi. If the safety valve does not allow air to be released when you pull on the ring, or if it does not close automatically, it MUST be replaced.

▲ WARNING *Safety valve must be replaced if it cannot be actuated or it leaks air after ring is released.*

PRESSURE GAUGES

Gauge attached to regulator indicates air pressure going to hose (and any tool attached to end of hose). Gauge attached to pressure switch indicates air pressure in tank.

Maintenance

▲ WARNING *Disconnect power source and then release all pressure from the system before attempting to install, service, relocate or perform any maintenance.*



Check compressor often for any visible problems and follow maintenance procedures each time compressor is used.

- Turn compressor off and release pressure from system. To release pressure from system, pull ring on ASME safety valve (see Figures 6 and 8). Deflect escaping air by shielding valve with one hand as you pull ring with other hand. Pull ring until tank is empty.

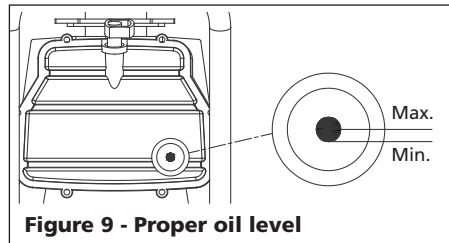
▲ CAUTION *A large amount of fast moving air will be released when the safety valve is opened with pressure in the tank. Wear ANSI approved Z87.1 safety glasses.*

- Drain moisture from tank by opening drain valve (see Figure 6) underneath tank. Tilt tank to remove all moisture.
- Clean dust and dirt from tank, air lines and pump cover while compressor is still OFF.

OIL CHANGE

- Allow compressor to run and warm up oil. Unplug unit.

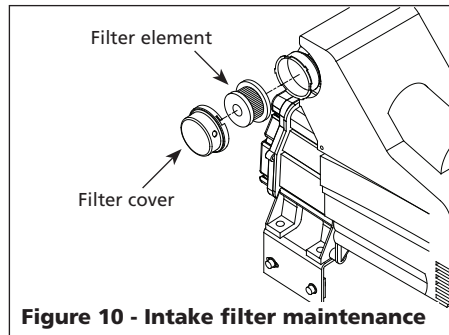
- Position a pan under pump end of unit.
- Remove oil drain plug (see Figure 6). Allow oil to collect in pan. Tilt unit to completely drain.
- Replace drain plug, fill pump to full line on sight glass. Use Chevron synthetic 5W-30, Mobil 1 5W-30 or 10W-30 synthetic motor oil. Using other types of oil will cause starting problems.



- Change oil after every 50 hours of use.

INTAKE AIR FILTER MAINTENANCE

Removal, Inspection and Replacement (Figure 10)



The intake filter element should be removed and checked periodically. A clogged intake filter can decrease compressor performance and cause the compressor to overheat.

- Rotate the filter cover counter clockwise and remove .
- Remove the filter element and inspect.
- If the filter element is dirty or clogged, replace it.
- Reinstall filter and cover.

IMPORTANT: Locate unit as far from spraying area as hose will allow to prevent overspray from clogging filter.

OVERLOAD PROTECTOR SECTION

▲ CAUTION *This compressor is equipped with an automatic reset overload protector which will shut off motor if it becomes overloaded.*

If overload protector shuts motor OFF frequently, look for the following causes.

- Low voltage.
- Clogged air filter.
- Lack of proper ventilation.

▲ CAUTION *If the overload protector is actuated, the motor must be allowed to cool down for 30 minutes before it will reset.*

STORAGE

- Drain tank of moisture.
- When not in use, store compressor in a cool, dry place.
- Disconnect hose and hang open ends down to allow any moisture to drain.

Troubleshooting Chart

Symptom	Possible Cause(s)	Corrective Action
Compressor will not run	<ol style="list-style-type: none"> 1. Switch in OFF position 2. No electrical power at wall outlet 3. Compressor has reached automatic shutoff pressure 4. Motor overloaded 5. Pressure switch bad 	<ol style="list-style-type: none"> 1. Make sure compressor is plugged in and switch is ON. 2. Check circuit breaker or fuse at electrical panel. 3. Release air from tank until compressor restarts automatically. 4. Allow compressor to cool for approximately 30 minutes. Make sure compressor is run in a clean, well-ventilated area. 5. Replace pressure switch.
Motor hums but cannot run or runs slowly	<ol style="list-style-type: none"> 1. Defective check valve 2. Defective unloader valve (on pressure switch) 3. Low voltage 4. Loose electrical connections 5. Wrong gauge wire or length of extension cord 6. Defective motor capacitor 7. Shorted or open motor winding 	<ol style="list-style-type: none"> 1. Repair or replace. 2. Repair or replace. 3. Check voltage at wall outlet with voltmeter. 4. Check all electrical connections. 5. Check extension cord chart for proper extension cord usage. 6. Replace capacitor. 7. Replace motor assembly. <p>⚠ DANGER <i>Do not disassemble check valve with air in tank; bleed tank</i></p>
Flow blows/circuit breaker trips repeatedly	<ol style="list-style-type: none"> 1. Incorrect fuse size, circuit overloaded 2. Wrong gauge wire or length of extension cord 3. Defective check valve 4. Defective unloader valve (on pressure switch) 5. Defective motor capacitor 6. Motor shorted or seized 	<ol style="list-style-type: none"> 1. Check for proper fuse. Use time delay fuse. Disconnect other electrical appliances from circuit or operate compressor on its own branch circuit. 2. Check extension cord chart for proper extension cord usage. 3. Repair or replace. 4. Repair or replace. 5. Replace capacitor. 6. Replace motor assembly. <p>⚠ DANGER <i>Do not disassemble check valve with air in tank; bleed tank</i></p>
Thermal overload protector cuts out repeatedly	<ol style="list-style-type: none"> 1. Low voltage 2. Wrong gauge wire or length of extension cord 3. Clogged intake filter 4. Lack of proper ventilation/room temperature too high 5. Defective check valve 6. Defective unloader valve (on pressure switch) 7. Compressor valves failed 	<ol style="list-style-type: none"> 1. Check voltage at wall outlet with voltmeter. 2. Check extension cord chart for proper extension cord usage. 3. Clean or replace filter. 4. Move compressor to well-ventilated area. 5. Repair or replace. 6. Repair or replace. 7. Replace valve assembly <p>⚠ DANGER <i>Do not disassemble check valve with air in tank; bleed tank</i></p>
Knocks, rattles, and/or excessive vibration	<ol style="list-style-type: none"> 1. Loose mounting bolts 2. Tank not level 3. Cylinder or piston is worn/scored 	<ol style="list-style-type: none"> 1. Tighten bolts. 2. Use sturdy wedge/object to bring tank to level position. 3. Replace or repair as necessary.
Tank pressure drops when compressor shuts off	<ol style="list-style-type: none"> 1. Loose drain valve 2. Check valve leaking 3. Loose connections at fittings, tubing, etc. 	<ol style="list-style-type: none"> 1. Tighten. 2. Remove check valve. Clean or replace. 3. Check all connections with soap and water solution. If a leak is detected, (1) tighten or (2) remove fitting and apply pipe tape to threads and reassemble.

Troubleshooting Chart (Continued)

Symptom	Possible Cause(s)	Corrective Action
	4. Tank leaks	4. Check tank for leaks with soap and water solution. If leak is detected, tank must be replaced with genuine replacement part. ⚠ DANGER Do not disassemble check valve with air in tank; bleed tank
Compressor runs continuously and air output is lower than normal/low discharge pressure	1. Excessive air usage, compressor too small 2. Clogged intake filter 3. Loose connections at fittings, tubing, etc. 4. Tank leaks 5. Broken valves 6. Piston ring worn	1. Decrease usage or purchase unit with higher air delivery (SCFM). 2. Clean or replace. 3. Check all connections with soap and water solution. If a leak is detected, (1) tighten or (2) remove fitting and apply pipe tape to threads and reassemble. 4. Check tank for leaks with soap and water solution. If leak is detected, tank must be replaced with genuine replacement part. 5. Replace compressor valves as necessary. 6. Replace piston and cylinder.
Excessive moisture in discharge air	1. Excessive water in tank 2. High humidity	1. Drain tank. 2. Move to area of less humidity; use air line filter. NOTE: Water condensation is not caused by compressor malfunction.
Compressor runs continuously and safety valve opens as pressure rises	1. Defective pressure switch 2. Defective safety valve	1. Replace switch. 2. Replace safety valve with genuine replacement part.
Excessive starting and stopping (auto start)	1. Excessive condensation in tank 2. Loose connections at fittings, tubing, etc. 3. Tank leaks	1. Drain more often. 2. Check all connections with soap and water solution. If a leak is detected, (1) tighten or (2) remove fitting and apply pipe tape to threads and reassemble. 3. Check tank for leaks with soap and water solution. If leak is detected, tank must be replaced with genuine replacement part. ⚠ DANGER Do not disassemble check valve with air in tank; bleed tank
Air leaking from unloader valve on pressure switch	1. Check valve stuck in an open position 2. Unloader valve stuck in open position	1. Repair or replace check valve. 2. Repair or replace unloader valve. ⚠ DANGER Do not disassemble check valve with air in tank; bleed tank

Limited Warranty

1. **DURATION:** From the date of purchase by the original purchaser as follows: One Year.
2. **WHO GIVES THIS WARRANTY (WARRANTOR):**
Campbell Hausfeld / Scott Fetzer Company, 100 Production Drive, Harrison, Ohio, 45030, Telephone: (800) 543-6400.
3. **WHO RECEIVES THIS WARRANTY (PURCHASER):** The original purchaser (other than for purposes of resale) of the Campbell Hausfeld compressor.
4. **WHAT PRODUCT IS COVERED BY THIS WARRANTY:** This Campbell Hausfeld air compressor.
5. **WHAT IS COVERED UNDER THIS WARRANTY:** Substantial defects due to material and workmanship with the exceptions noted below.
6. **WHAT IS NOT COVERED UNDER THIS WARRANTY:**
 - A. Implied warranties, including those of merchantability and FITNESS FOR A PARTICULAR PURPOSE ARE LIMITED FROM THE DATE OF ORIGINAL PURCHASE AS STATED IN THE DURATION. If this compressor is used for commercial, industrial or rental purposes, the warranty will apply for ninety (90) days from the date of purchase. Some States do not allow limitations on how long an implied warranty lasts, so the above limitations may not apply to you.
 - B. ANY INCIDENTAL, INDIRECT, OR CONSEQUENTIAL LOSS, DAMAGE, OR EXPENSE THAT MAY RESULT FROM ANY DEFECT, FAILURE, OR MALFUNCTION OF THE CAMPBELL HAUSFELD PRODUCT. Some States do not allow the exclusion or limitations of incidental or consequential damages, so the above limitation or exclusion may not apply to you.
 - C. Any failure that results from an accident, purchaser's abuse, neglect or failure to operate products in accordance with instructions provided in the owner's manual(s) supplied with compressor.
 - D. Pre-delivery service, e.g. assembly, oil or lubricants, and adjustment.
 - E. Items or service that are normally required to maintain the product, e.g. lubricants, filters and gaskets, etc.
 - F. Gasoline engines and components are expressly excluded from coverage under this limited warranty. The Purchaser must comply with the warranty given by the engine manufacturer which is supplied with the product.
 - G. Additional items not covered under this warranty:
 1. All Compressors
 - a. Any component damaged in shipment or any failure caused by installing or operating unit under conditions not in accordance with installation and operation guidelines or damaged by contact with tools or surroundings.
 - b. Pump or valve failure caused by rain, excessive humidity, corrosive environments or other contaminants.
 - c. Cosmetic defects that do not interfere with compressor functionality.
 - d. Rusted tanks, including but not limited to rust due to improper drainage or corrosive environments.
 - e. Electric motors, check valves and pressure switches.
 - f. Drain cocks.
 - g. Damage due to incorrect voltage or improper wiring.
 - h. Other items not listed but considered general wear parts.
 - i. Pressure switches, air governors and safety valves modified from factory settings.
 2. Lubricated Compressors
 - a. Pump wear or valve damage caused by using oil not specified.
 - b. Pump wear or valve damage caused by any oil contamination or by failure to follow proper oil maintenance guidelines.
 3. Belt Drive / Direct Drive / Gas Driven Compressors
 - a. Belts.
 - b. Ring wear or valve damage from inadequate filter maintenance.
 - c. Manually adjusted load/unload and throttle control devices.
7. **RESPONSIBILITIES OF WARRANTOR UNDER THIS WARRANTY:** Repair or replace, at Warrantor's option, compressor or component which is defective, has malfunctioned and/or failed to conform within the duration of the specific warranty period.
8. **RESPONSIBILITIES OF PURCHASER UNDER THIS WARRANTY:**
 - A. Provide dated proof of purchase and maintenance records.
 - B. Portable compressors or components must be delivered or shipped to the nearest Campbell Hausfeld Authorized Service Center. Freight costs, if any, must be borne by the purchaser.
 - C. Use reasonable care in the operation and maintenance of the products as described in the owner's manual(s).
9. **WHEN WARRANTOR WILL PERFORM REPAIR OR REPLACEMENT UNDER THIS WARRANTY:** Repair or replacement will be scheduled and serviced according to the normal work flow at the servicing location, and depending on the availability of replacement parts.

This Limited Warranty applies in the U.S., Canada and Mexico only and gives you specific legal rights. You may also have other rights which vary from State to State or country to country.

Por favor, leia e guarde essas instruções. Leia com atenção antes de tentar montar, instalar, usar ou fazer manutenção no produto descrito. Siga todas as informações de segurança para proteger a si mesmo e a outras pessoas; caso contrário, podem ocorrer lesões pessoais e danos materiais! Guarde essas instruções para futuras consultas.



**CAMPBELL
HAUSFELD®**

Compressores de ar lubrificados a óleo

Descrição

Este compressor lubrificado a óleo foi projetado para trabalhos domésticos e automotivos do tipo "faça você mesmo". Estes compressores alimentam pistolas de pulverização, ferramentas de impacto e outras ferramentas. O ar comprimido desse compressor contém umidade. Instale um filtro de água ou secador de ar se a aplicação necessitar de ar seco.

Normas de Segurança

Esse manual contém informações muito importantes de serem conhecidas e compreendidas. Essas informações são fornecidas para SEGURANÇA e para EVITAR PROBLEMAS COM O EQUIPAMENTO. Para ajudar a reconhecer essas informações, observe os seguintes símbolos.

▲ PERIGO

Perigo indica uma situação de perigo iminente que, se não evitada, resulta em morte ou lesão grave.

▲ AVISO

Advertência indica uma situação potencialmente perigosa que, se não evitada, pode resultar em morte ou lesão grave.

▲ CUIDADO

Atenção indica uma situação potencialmente perigosa que, se não evitada, pode resultar em lesão menor ou moderada.

NOTA

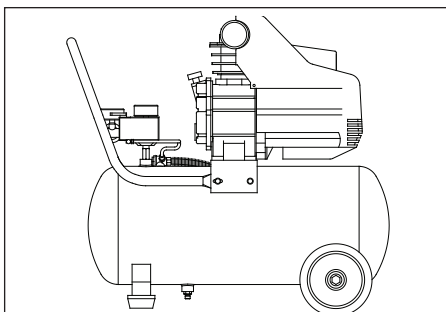
Aviso indica informação importante que, se não for seguida, pode causar dano ao equipamento.

Remoção da Embalagem

Após desembalar a unidade, inspecione cuidadosamente por qualquer dano que possa ter ocorrido durante o transporte. Assegure de apertar acessórios, parafusos, etc, antes de colocar a unidade em funcionamento. Em caso de dúvidas, defeito ou ausência de peças, por favor, ligue para o Centro de Serviço Autorizado mais próximo. Tenha em mãos o número de série, número do modelo e lista de peças (contendo as peças ausentes assinaladas antes de ligar).



**NÃO DEVOLVA
O PRODUTO
À LOJA !**



Registre os Número do Modelo e Série (localizados no compressor) e a data da compra nos espaços abaixo.

No do Modelo _____

No de Série _____

Data da compra _____

Mantenha esses números guardados para consultas futuras.

Informações Gerais de Segurança

PROPOSIÇÃO 65 DA CALIFÓRNIA

▲ AVISO

As atividades de cortar, lixar, furar ou triturar materiais como madeira, tinta, metal, concreto, cimento ou outro tipo de alvenaria geram pó. Esse pó frequentemente contém substâncias químicas conhecidas por causarem câncer, defeitos congênitos ou outras lesões ao sistema reprodutor. Use equipamentos de proteção.



▲ AVISO

Esse produto, ou o seu cabo de alimentação, pode conter substâncias conhecidas no Estado da Califórnia por causarem câncer, defeitos congênitos ou outras lesões ao sistema reprodutor. Lave as mãos após o manuseio.

▲ PERIGO

Advertência sobre Ar Respirável

Este compressor /bomba não está equipado e não deve ser usado para suprimento de ar com qualidade respirável. Antes de utilizá-lo para esse fim, deverá ser instalado no compressor um sistema de segurança e alarme incorporado à linha. Este equipamento suplementar é necessário para uma filtragem e purificação adequada do ar para atender às especificações mínimas do Grau D de ar respirável, descrito na especificação G 7.1 - 1996 da Associação de Ar Comprimido. Também deverá atender ao artigo 29 CFR 1910.134 da organização norte-americana OSHA e/ou Associação Canadense de Normas (Canadian Standards Association - CSA).

DESOBRIGAÇÃO DE GARANTIAS

Se o compressor for usado para a finalidade de fornecimento de ar para respiração e os equipamentos adequados de segurança em linha e alarme não forem utilizados simultaneamente, as garantias existentes serão canceladas, e o fabricante se isenta de qualquer responsabilidade civil no que se refere a quaisquer prejuízos, lesões ou danos.

INFORMAÇÕES GERAIS

▲ AVISO

Não coloque a unidade em funcionamento caso tenha sido danificada durante o transporte, manuseio ou uso. O dano pode resultar em ruptura e causar avaria ou dano da estrutura.

▲ AVISO

Não deixe o equipamento funcionando desacompanhado. Se deixar o compressor na posição AUTO, isso poderá permitir que ele acabe sendo ligado inadvertidamente. Para evitar isto e possíveis danos devido ao pico de voltagem, coloque na posição DESLIGADO (OFF) depois de cada ocasião em que utilizar o equipamento.

LEMBRETE: Guarde sua comprovação de compra datada até o fim da garantia!

Junte-a a este manual o arquite-a para mais segurança.

Informações Gerais de Segurança (Continuação)

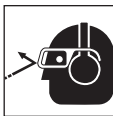
Uma vez que o compressor de ar e os outros componentes (filtros, lubrificadores, mangotes, etc) usados, causam uma grande pressão ao sistema de bombeamento, as instruções de segurança a seguir devem ser sempre respeitadas:

1. Leia atentamente todos os manuais que acompanham este produto. Esteja completamente familiarizado com todos os controles e o uso apropriado do equipamento.



2. Respeite todos os códigos elétricos e de segurança locais como nos Estados Unidos, os Códigos de Eletricidade Nacionais ("National Electrical Codes – NEC") e o Decreto de Saúde e Segurança Ocupacional ("Occupational Safety and Health Act – OSHA")
3. Somente as pessoas bem familiarizadas com estas regras de operação segura devem ter a permissão para usar o compressor.
4. Mantenha os visitantes afastados e NUNCA permitam às crianças de se aproximarem da área de trabalho.

5. Use óculos de segurança e proteção auditiva ao usar a bomba ou a unidade.



6. Não se apoie ou use a bomba ou a unidade como suporte para as mãos.
7. Antes de cada utilização, inspecione o sistema de ar comprimido e os componentes elétricos para verificar sinais de dano, deterioração, debilidade ou perdas. Conserte ou substitua os itens defeituosos antes de usá-los.

8. Verifique todos os fixadores em intervalos frequentes para o aperto apropriado.

AVISO

Motores, equipamentos elétricos e controles podem gerar arcs elétricos capazes de ocasionar ignição de gases ou vapores inflamáveis. Nunca opere ou faça reparos em locais próximos de gases ou vapores inflamáveis. Nunca armazene líquidos ou gases inflamáveis nas proximidades do compressor.



ACUIDADO

Algumas partes do compressor podem estar quentes mesmo quando este estiver desligado.



9. Mantenha os dedos longe do compressor em funcionamento; o movimento veloz e as partes quentes podem causar infortúnios e/ou queimaduras.

10. Se o equipamento apresentar vibração fora do normal, PARE o motor e verifique imediatamente a causa. A vibração geralmente é um aviso de que algo não está correto.

11. Para reduzir o risco de incêndio, mantenha a parte exterior do motor limpa e sem óleo, solvente ou excesso de graxa.



AVISO

Nunca remova ou tente ajustar a válvula de segurança. Mantenha a válvula de segurança livre de tinta ou acúmulo de sujeira.

PERIGO

Nunca tente fazer conserto ou modificação no tanque! Soldas, perfurações ou outras modificações diminuem a resistência do tanque podendo causar ruptura ou explosão do tanque. Os tanques danificados ou gastos devem ser sempre substituídos.



NOTA

Drene o líquido do tanque diariamente.

12. Os tanques enferrujam com o acúmulo de umidade e isso diminui a resistência do tanque. Faça a drenagem do tanque diariamente e faça inspeções periódicas procurando por ferrugem ou pontos de corrosão.

13. O movimento veloz do motor aspergirá poeira e detritos que podem ser prejudiciais. Libere o ar vagarosamente ao escoar a umidade ou ao depressurizar o sistema do compressor.

PRECAUÇÕES DURANTE A PULVERIZAÇÃO

AVISO

Não pulverize materiais inflamáveis nas proximidades de uma chama ou próximo de dispositivos de ignição incluindo-se a unidade do compressor.

14. Não fume durante a pulverização de tintas, inseticidas ou outras substâncias inflamáveis.

15. Use uma máscara facial / respirador enquanto estiver pulverizando e utilize o pulverizador numa área ventilada para prevenir danos à saúde e perigo de incêndio.



16. Não pulverize tinta ou outro material diretamente sobre o compressor. Coloque o compressor num local que seja afastado da área de trabalho para minimizar o acúmulo de resíduos sobre o compressor.

17. Quando for pulverizar ou realizar limpeza com solventes ou substâncias tóxicas, siga as instruções fornecidas pelo fabricante destas substâncias.

Montagem

MONTAGEM DA ALÇA (Figura 1)

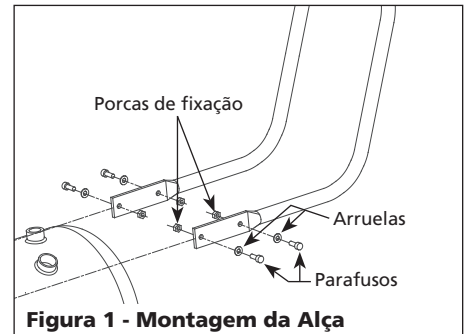


Figura 1 - Montagem da Alça

1. Coloque as extremidades do punho ao redor do tanque, por trás da placa de fixação. Alinhe os orifícios da alça com os orifícios da placa de montagem.
2. Instale quatro (4) parafusos e arruelas (do pacote de peças) em furos na placa de fixação e punho. Prensione com as porcas de travamento.

AVISO

Nunca use a alça para levantar totalmente a unidade do chão. Use-a somente para levantar um dos lados para que as rodas possam ser usadas para mover a unidade.

MONTAGEM DA RODA (Figura 2)

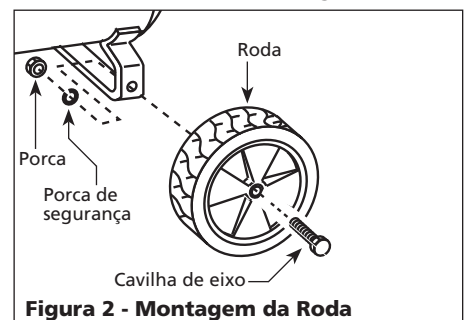


Figura 2 - Montagem da Roda

O kit de montagem da roda inclui:

- 2 rodas
- 2 cavilhas de eixo
- 2 arruelas de fixação
- 2 porcas

Montagem (Continuação)

Os itens marcados com um asterisco (*) foram enviados soltos com a unidade.

1. A roda terá um eixo horizontal. Com o cubo de compensação defronte ao ferro do eixo, instale o parafuso do eixo nos furos na roda e ferro do eixo.
2. Coloque a arruela de fixação na cavilha de eixo. Então, aperte bem a porca na parte rosqueada da cavilha de eixo.
3. Repita o procedimento do outro lado.

LUBRIFICAÇÃO

⚠ CUIDADO *ESTA UNIDADE É ENVIADA SEM*

ÓLEO NA BOMBA! Siga as instruções de lubrificação antes de operar o compressor.

Utilize o óleo enviado junto com o compressor. Não utilize óleo automotivo 10W-30. Os aditivos nos óleos automotivos causam depósitos nas válvulas e reduzem a vida útil da bomba. Para maximizar a vida útil da bomba, drene e substitua o óleo após a primeira hora de operação.

A bomba do compressor comporta aproximadamente 280 ml (9,5 onças) de óleo. O indicador visual, localizado na posição de eixo de manivela da bomba, apresenta marcações dos níveis "máx" e "mín." Evite encher demais o cárter adicionando o óleo lentamente e

verificando o nível de óleo no visor várias vezes. Adicione óleo suficiente até que seja alcançado o nível "max" no visor de vidro. O nível correto de óleo está ilustrado na figura 3.

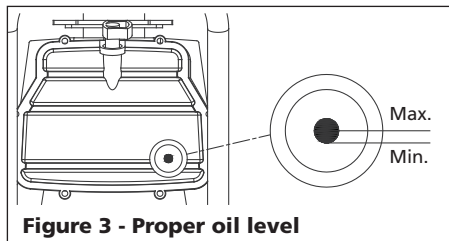


Figure 3 - Proper oil level

FILTRO DE ADMISSÃO

Aparafuse o filtro de ar de admissão na abertura rosqueada do lado da cabeça do compressor, conforme ilustrado na Figura 4. Aperte com uma chave, sem exercer muita pressão.

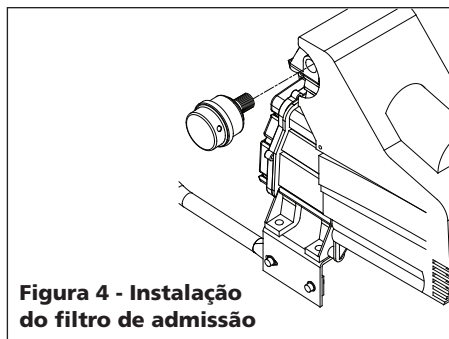


Figura 4 - Instalação do filtro de admissão

Instalação

LOCALIZAÇÃO

É extremamente importante instalar o compressor numa área limpa, bem

ventilada e com temperatura ambiente inferior a 38° C (100°F).

É necessário um espaço mínimo de 45,7 cm (18 in.) entre o compressor e a parede para que nenhum objeto obstrua o fluxo de ar.

⚠ CUIDADO *Não instale a entrada de ar do compressor próximo de áreas com vapor, tinta, jato de areia ou qualquer fonte de contaminação. Os resíduos podem causar danos ao motor.*

INSTALAÇÃO ELÉTRICA

⚠ AVISO *Toda a fiação e conexões elétricas deverão ser feitas por um electricista. A instalação deve estar de acordo com as normas nacionais de instalações elétricas.*

INSTALAÇÃO ELÉTRICA

1. As normas de instalações elétricas são diferentes para cada região. A fiação, conectores e proteções devem ser selecionados de acordo com as especificações de amperagem e voltagem indicadas na placa do motor atendendo às especificações mínimas.
2. Use um fusível de ação lenta ou um disjuntor.
3. Certifique-se de que o compressor esteja conectado a uma saída com a mesma configuração do conector. Este produto deve ser aterrado. Em caso de curto circuito, o aterramento reduz o risco de choque elétrico por oferecer um cabo elétrico para desvio da corrente. Este produto está equipado com um cabo contendo um fio de aterramento com seu respectivo conector apropriado. Este fio deverá ser conectado a uma tomada que esteja corretamente instalada e aterrada de acordo com todas as normas e códigos locais.

⚠ CUIDADO *Superaquecimento, atenuação de circuito e perigo de incêndio podem resultar de uma ligação inadequada, etc.*

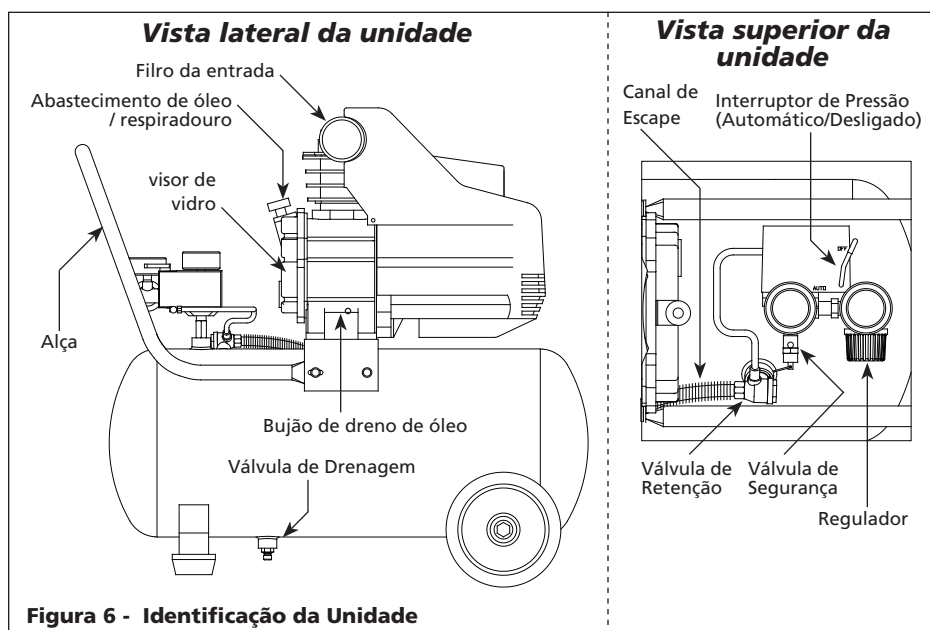


Figura 6 - Identificação da Unidade

Cabos de extensão

Comprimento do fio (pés)	25	50	100
Manômetro do fio	14	12	10

Instalação (Continuação)

Operação

Pressostato - Interruptor Auto/Desligado (Figura 7) – Na posição **AUTO** o compressor desliga automaticamente quando a pressão no tanque atinge o valor máximo pré-estabelecido. Na posição **DESLIGADO**, o compressor não opera. O interruptor deve estar na posição **DESLIGADO** quando for conectar ou desconectar o equipamento da tomada ou durante a troca das ferramentas pneumáticas.

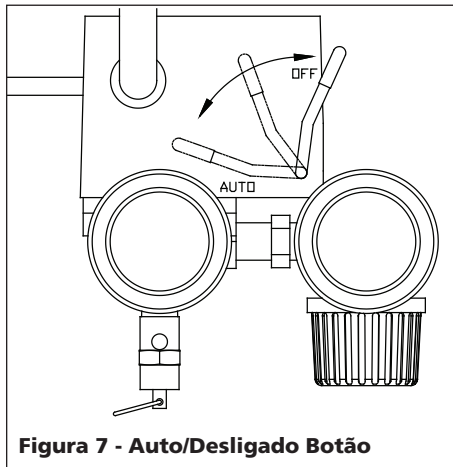


Figura 7 - Auto/Desligado Botão

- **Regulador** - O regulador controla a pressão do ar liberado na mangueira.
- **Válvula de segurança ASME** - Esta válvula libera o ar automaticamente se a pressão no tanque ultrapassar o valor máximo pré-estabelecido.
- **Tubo de descarga** - Este tubo transporta o ar comprimido desde a bomba até a válvula de retenção. Este tubo se aquece muito durante o uso do compressor. Para evitar queimadura, nunca toque o tubo de descarga..
- **Válvula de retenção** – Válvula de fluxo unidirecional que somente permite a passagem de ar que entra no tanque e evita o retorno de ar para a bomba do compressor.
- **Alça** - Projetada para o transporte do compressor.

⚠ AVISO

Nunca utilize a alça da unidade com

rodas para levantar o compressor inteiramente do chão.

- **Válvula de drenagem** - Esta válvula se localiza no fundo do tanque. Serve para drenar a umidade condensada no tanque

UMIDADE NO AR COMPRIMIDO

A umidade no ar comprimido forma gotículas de água que saem com o ar da bomba do compressor. Quando a umidade é alta ou quando o compressor está em uso contínuo por longos períodos, a umidade é coletada no tanque. Ao utilizar um pulverizador de tinta, a água será transportada desde o tanque até a mangueira e sai através da pistola de pintura como gotículas misturadas ao material pulverizado.

IMPORTANTE: Esta condensação causará manchas na superfície pintada, especialmente quando se utilizam tintas que não sejam à base de água. Se for um jato de areia, fará com que a areia endureça e obstrua a pistola, tornando-a ineficaz. Um filtro na linha de ar (MP3105), localizado o mais próximo possível da pistola ajuda a eliminar esta umidade.

diariamente, reduzindo o risco de corrosão.

Reduza a pressão no tanque abaixo de 10 psi (0.7 bar) e a seguir drene diariamente a umidade do tanque para evitar corrosão do tanque. Drene a umidade do tanque abrindo a válvula localizada na parte inferior do tanque.

ANTES DA PRIMEIRA OPERAÇÃO PROCEDIMENTO PARA AMACIAR O MOTOR

(Realize este procedimento antes de utilizar o compressor pela primeira vez. Uma vez realizada esta operação, ela não necessita ser repetida)

1. Gire o botão regulador completamente no sentido horário (para a direita) para abrir o fluxo de ar.
2. Mova o interruptor LIGADO/DESLIGADO para a posição DESLIGADO.
3. Ligue o cabo de energia.
4. Mova o interruptor on/off para a posição AUTO e deixe o compressor operando por 30 minutos.
5. Mova o interruptor LIGADO/DESLIGADO para a posição DESLIGADO.
6. Desconecte o cabo de força – abra a válvula de drenagem.

O compressor está pronto para o uso.

PROCEDIMENTO OPERACIONAL ANTES DE CADA PARTIDA

1. Gire o botão do regulador completamente no sentido anti-horário (para a esquerda) para fechar a saída de ar.
2. Conecte a mangueira de ar à saída do regulador.

3. Mova o interruptor LIGADO/DESLIGADO para a posição DESLIGADO.
4. Ligue o cabo de energia.
5. Mova o interruptor LIGADO/DESLIGADO para a posição LIGADO e mantenha o compressor operando até que ele chegue na pressão determinada e pare automaticamente.
6. Ligue a calibrador de pneu ou a ferramenta à mangueira.
7. Gire o botão regulador no sentido horário (para a direita) até a pressão desejada de acordo com a ferramenta a ser usada.

Ciclo do compressor Liga/Desliga

Na posição LIGADO/AUTO, o compressor bombeia ar para o tanque. Quando ele desliga significa que a pressão estabelecida foi atingida e o compressor desliga automaticamente.

Se o compressor for mantido na posição LIGADO/AUTO e o ar é esgotado do tanque pelo seu uso em um calibrador, ferramenta, etc; o compressor reinicia automaticamente até chegar novamente na pressão determinada.

Quando a ferramenta pneumática é usada continuamente, o ciclo do compressor de ligar e desligar se completa automaticamente.

Se permanecer na posição DESLIGADO, o pressostato não atua e o compressor não opera. Certifique-se de que o interruptor esteja na posição DESLIGADO quando for conectar ou desconectar o cabo de energia.

VÁLVULA DE SEGURANÇA ASME

⚠ AVISO

Não remova ou tente ajustar a válvula de segurança.

Verifique a válvula de segurança através dos seguintes passos:

Operação (Continuação)

1. Conecte o compressor e opere até que ele desligue ao atingir a pressão desejada (veja procedimento de operação).
2. Utilize óculos de segurança. Puxe o anel da válvula de segurança (veja Figuras 6 e 8) e libere a pressão do tanque do compressor. Use a sua outra mão para desviar o ar em alta velocidade caso o jato de ar esteja indo na direção do seu rosto.

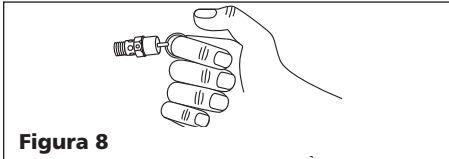


Figura 8

3. A válvula de segurança deverá fechar-se automaticamente à pressão aproximada de 2,8 bar – 3,4 bar (40 psi - 50 psi). Se a válvula de segurança não permite a liberação do ar quando o anel é puxado, ou se ela não fecha automaticamente, ela DEVE ser substituída.

AVISO

A válvula de segurança deve ser substituída se ela não puder ser utilizada ou se ocorrer vazamento de ar após o anel ser solto.

MANÔMETROS

O manômetro conectado ao regulador indica a pressão do ar que vai para a mangueira (e para qualquer ferramenta pneumática ligada à mangueira). O manômetro conectado ao pressostato indica a pressão de ar no tanque.

Manutenção

AVISO

Desligue a energia elétrica e então libere toda a pressão do sistema antes de fazer alguma instalação, reparo, movimentação ou qualquer outra manutenção.



O compressor deve ser inspecionado regularmente para verificar se existem problemas visíveis. Os seguintes procedimentos de manutenção devem ser realizados a cada uso do compressor:

1. Desligue o compressor e libere a pressão do sistema. Para liberar a pressão puxe o anel da válvula de segurança (veja Figuras 6 e 8). Desvie o ar protegendo a válvula com a mão enquanto puxa o anel com a

outra mão. Puxe o anel até que o tanque esteja vazio.

CAUIDADO

Uma grande quantidade de ar em alta velocidade será liberada enquanto a válvula de segurança estiver aberta devido à pressão no tanque. Use óculos de segurança aprovados pela ANSI.

2. Drene a umidade do tanque abrindo a válvula de dreno (veja Figura 6) localizada na parte inferior. Dê batidas no tanque para certificar-se de que toda umidade foi removida.
3. Remova a poeira e a sujeira do tanque, linhas de ar e cobertura da bomba enquanto o compressor estiver desligado.

TROCA DE ÓLEO

1. Deixe o compressor operar e aquecer o óleo. Desligue o compressor da fonte de energia.
2. Posicione uma vasilha abaixo da extremidade da bomba do compressor.
3. Remova a tampa do dreno (veja Figura 6). Deixe o óleo ser coletado na vasilha. Incline um pouco a unidade para drenar completamente o óleo.
4. Recoloque a tampa do dreno, encha a bomba até o centro do visor de vidro. Use óleo para motores sintético Chevron 5W-30, Mobil 1 5W-30 ou 10W-30. O uso de outro tipo de óleo pode causar problema na partida.

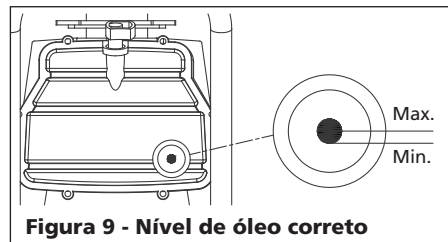


Figura 9 - Nível de óleo correto

5. Troque o óleo após 50 horas de uso.

MANUTENÇÃO DO FILTRO DE ENTRADA DE AR

Remoção, Inspeção e Substituição (Figura 10)

O filtro da entrada deve ser removido e inspecionado. O entupimento do filtro de entrada pode diminuir o rendimento e causar superaquecimento do compressor.

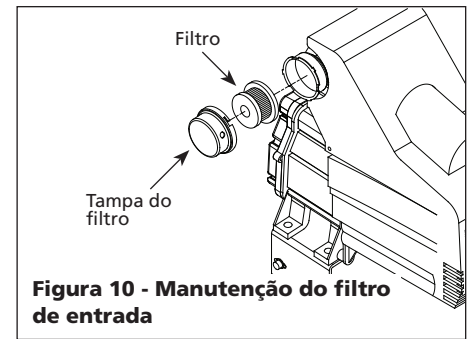


Figura 10 - Manutenção do filtro de entrada

1. Gire a tampa do filtro no sentido anti-horário e remova.
2. Remova o filtro e inspecione-o.
3. Se o filtro estiver sujo ou entupido, substitua-o.
4. Reinstale o filtro e a tampa.

IMPORTANTE: Coloque o compressor o mais afastado possível da área de trabalho, o quanto a mangueira permitir, para prevenir entupimento do filtro por excesso de contato com o pulverizado.

SEÇÃO DE PROTEÇÃO DE SOBRECARGA

CAUIDADO

Este compressor é equipado com um protetor de sobrecarga de rearme automático que desliga o motor se houver sobrecarga.

Se o protetor de sobrecarga desligar o motor, verifique as seguintes possíveis causas:

1. Baixa tensão.
2. Filtro de ar entupido.
3. Falta de ventilação adequada.

CAUIDADO

Si se activa el protector de sobrecarga, se debe dejar enfriar el motor durante 30 minutos antes de que se reinicie.

ARMAZENAMENTO

1. Drene a umidade do tanque.
2. Quando não estiver em uso, armazene o compressor num local fresco e seco.
3. Desconecte a mangueira e a pendure com as extremidades para baixo para escoar a água.

Tabela da solução de problemas

Problema	Possíveis causas	Ação corretiva
O compressor não funciona	<ol style="list-style-type: none"> 1. Interruptor na posição DESLIGADO 2. Sem energia elétrica 3. O compressor atinge a pressão desejada e desliga 4. Superaquecimento do motor 5. Pressostato com defeito 	<ol style="list-style-type: none"> 1. Verifique se o compressor está ligado à energia e o interruptor está na posição LIGADO 2. Verifique o disjuntor ou o fusível no painel elétrico. 3. Libere ar do tanque até que o compressor reinicie automaticamente. 4. Deixe o compressor esfriar por aproximadamente 30 minutos. Certifique-se de que o compressor opere numa área limpa e bem ventilada. 5. Substitua o pressostato.
O motor faz barulho, mas não funciona ou funciona lentamente	<ol style="list-style-type: none"> 1. Válvula de retenção com defeito 2. Válvula de descarga com defeito (no pressostato) 3. Baixa tensão 4. Conexões elétricas soltas 5. Fio de espessura errada ou comprimento de cabo de extensão errado. 6. Condensador do motor com defeito 7. Bobina do motor em curto-circuito ou aberta 	<ol style="list-style-type: none"> 1. Conserte ou substitua. 2. Conserte ou substitua. 3. Verifique a voltagem da tomada com um voltímetro. 4. Verifique todas as conexões elétricas. 5. Verifique a tabela de cabos de extensão para se informar sobre a utilização adequada dos cabos de extensão. 6. Substitua o condensador. 7. Substitua a unidade do motor. <p>⚠ PERIGO <i>Antes de desmontar a válvula de retenção, elimine todo o ar do tanque.</i></p>
Os fusíveis queimam ou o disjuntor desarma diversas vezes.	<ol style="list-style-type: none"> 1. Fusível incorreto, circuito sobrecarregado 2. Fio de espessura errada ou comprimento de cabo de extensão errado. 3. Válvula de retenção com defeito 4. Válvula de descarga com defeito (no pressostato) 5. Condensador do motor com defeito 6. Motor em curto-circuito ou emperrado 	<ol style="list-style-type: none"> 1. Verifique se o fusível é apropriado. Use fusível de ação retardada. Desconecte outros dispositivos elétricos do circuito ou opere o compressor em seu circuito secundário. 2. Verifique a tabela de cabos de extensão para se informar sobre a utilização adequada dos cabos de extensão. 3. Conserte ou substitua. 4. Conserte ou substitua. 5. Conserte ou substitua. 6. Substitua a unidade do motor. <p>⚠ PERIGO <i>Antes de desmontar a válvula de retenção, elimine todo o ar do tanque.</i></p>
O protetor térmico é ativado diversas vezes	<ol style="list-style-type: none"> 1. Baixa tensão 2. Fio de espessura errada ou comprimento de cabo de extensão errado. 3. Filtro de entrada entupido 4. Falta de ventilação/Temperatura ambiente elevada 5. Válvula de retenção com defeito 6. Válvula de descarga com defeito (no pressostato) 7. Falha nas válvulas do compressor 	<ol style="list-style-type: none"> 1. Verifique a tensão com um voltímetro. 2. Verifique a tabela de cabos de extensão para se informar sobre a utilização adequada dos cabos de extensão. 3. Limpe ou substitua o filtro. 4. Leve o compressor para uma área bem ventilada. 5. Conserte ou substitua. 6. Conserte ou substitua. 7. Substitua a unidade da válvula. <p>⚠ PERIGO <i>Antes de desmontar a válvula de retenção, elimine todo o ar do tanque.</i></p>
Batidas, ruídos e vibração excessiva	<ol style="list-style-type: none"> 1. Parafusos de montagem soltos 2. Tanque desnivelado 3. Cilindro ou pistão desgastado/riscado 	<ol style="list-style-type: none"> 1. Aperto os parafusos. 2. Utilize uma cunha/objeto forte para nivelar o tanque. 3. Conserte ou substitua se necessário.

Tabela da solução de problemas (Continuação)

Problema	Possíveis causas	Ação corretiva
A pressão do tanque cai quando o compressor desliga	<ol style="list-style-type: none"> Válvula de drenagem frouxa Vazamento na válvula de retenção Conexões frouxas nos acessórios, tubulação, etc. Vazamento no tanque 	<ol style="list-style-type: none"> Aperte. Remova a válvula de retenção. Limpe ou substitua. Verifique todas as conexões com solução de detergente. Se algum vazamento for detectado (1) aperte ou (2) remova o acessório e aplique uma fita veda-rosca e monte-o novamente. Procure por vazamentos no tanque com solução de detergente. Se algum vazamento for detectado, o tanque deve ser substituído por uma peça de reposição original. <p>⚠ PERIGO <i>Antes de desmontar a válvula de retenção, elimine todo o ar do tanque.</i></p>
O compressor funciona de maneira contínua e a saída de ar está abaixo do normal/baixa pressão na descarga	<ol style="list-style-type: none"> Elevado consumo de ar, compressor muito pequeno Filtro de entrada entupido Conexões frouxas nos acessórios, tubulação, etc. Vazamento no tanque Válvulas quebradas Anel do pistão desgastado 	<ol style="list-style-type: none"> Diminua o uso de ar ou compre uma unidade com maior capacidade de ar (SCFM). Limpe ou substitua. Verifique todas as conexões com solução de detergente. Se algum vazamento for detectado (1) aperte ou (2) remova o acessório e aplique uma fita veda-rosca e monte-o novamente. Procure por vazamentos no tanque com solução de detergente. Se algum vazamento for detectado, o tanque deve ser substituído por uma peça de reposição original. Substitua as válvulas do compressor conforme necessário. Recoloque o pistão e o cilindro.
Umidade excessiva no ar na descarga	<ol style="list-style-type: none"> Excesso de água no tanque Umidade elevada 	<ol style="list-style-type: none"> Drene o tanque. Leve a unidade para um local com menos umidade, use filtro de ar na linha. <p>NOTA: A condensação de água não é causada por mau funcionamento do compressor.</p>
O compressor funciona de maneira contínua e a válvula de segurança abre quando a pressão aumenta.	<ol style="list-style-type: none"> Pressostato com defeito Válvula de segurança com defeito 	<ol style="list-style-type: none"> Substitua o interruptor. Substitua a válvula de segurança com uma peça de reposição original.
O compressor liga e desliga com muita frequência	<ol style="list-style-type: none"> Condensação excessiva no tanque Conexões frouxas nos acessórios, tubulação, etc. Vazamento no tanque 	<ol style="list-style-type: none"> Drene com mais frequência. Verifique todas as conexões com solução de detergente. Se algum vazamento for detectado (1) aperte ou (2) remova o acessório e aplique uma fita veda-rosca e monte novamente. Procure por vazamentos no tanque com solução de detergente. Se algum vazamento for detectado, o tanque deve ser substituído por uma peça de reposição original. <p>⚠ PERIGO <i>Antes de desmontar a válvula de retenção, elimine todo o ar do tanque.</i></p>
Vazamento de ar na válvula de descarga no interruptor de pressão.	<ol style="list-style-type: none"> Válvula de retenção emperrada na posição aberta Válvula de descarga emperrada na posição aberta 	<ol style="list-style-type: none"> Conserte ou substitua a válvula de retenção. Conserte ou substitua a válvula de descarga. <p>⚠ PERIGO <i>Antes de desmontar a válvula de retenção, elimine todo o ar do tanque.</i></p>

Garantia Limitada

1. DURAÇÃO: A partir da data de compra pelo primeiro comprador, como se segue: Um Ano.
2. QUEM CONCEDE ESTA GARANTIA (GARANTIDOR):
Campbell Hausfeld/Scott Fetzer Company, 100 Production Drive, Harrison, Ohio, 45030, Telefone: (800) 543-6400.
3. QUEM RECEBE ESTA GARANTIA (COMPRADOR): O comprador original (não para objetivo de revenda) do compressor da Campbell Hausfeld.
4. QUAIS SÃO OS PRODUTOS COBERTOS POR ESTA GARANTIA: Compressor de ar Campbell Hausfeld.
5. O QUE ESTÁ COBERTO NESTA GARANTIA: Grandes defeitos no material e mão de obra com as exceções abaixo.
6. O QUE NÃO ESTÁ COBERTO NESTA GARANTIA:
 - A. Garantias implícitas, incluindo as de comercialidade e ADEQUAÇÃO PARA UM OBJETIVO ESPECÍFICO SÃO LIMITADAS A PARTIR DA DATA DA COMPRA ORIGINAL CONFORME DECLARADO NO ITEM "DURAÇÃO". Se este compressor for utilizado para fins comerciais, industriais ou de locação, a garantia será aplicada por noventa (90) dias a contar da data da compra. Alguns estados (nos Estados Unidos) não permitem limites referentes ao prazo de duração da garantia implícita, de forma que os limites acima podem não se aplicar no seu caso.
 - B. QUALQUER PERDA, DANO OU DESPESA INCIDENTAIS, INDIRETOS OU RESULTANTES QUE POSSAM RESULTAR DE QUALQUER DEFEITO, FALHA OU MAU FUNCIONAMENTO DOS PRODUTOS DA CAMPBELL HAUSFELD. Alguns estados (nos Estados Unidos) não permitem a exclusão ou limite de danos incidentais ou resultantes, de forma que o limite e exclusão acima podem não se aplicar ao seu caso.
 - C. Qualquer falha resultante de acidente, abuso por parte do comprador, negligência ou da não operação do produto de acordo com as instruções no(s) manual(ais) do proprietário que acompanha(m) este compressor.
 - D. Serviço de pré-entrega, por exemplo, montagem, óleo ou lubrificantes e de ajuste.
 - E. Itens ou serviços normalmente necessários para manter o produto, por exemplo, lubrificantes, filtros e juntas etc.
 - F. Motores e componentes a gasolina são expressamente excluídos da cobertura de acordo com esta garantia limitada. O comprador deve cumprir com as exigências da garantia fornecida pelo fabricante do motor que acompanha o produto.
 - G. Itens adicionais não cobertos de acordo com esta garantia.
 1. Todos os compressores
 - a. Todos os componentes danificados durante a remessa ou qualquer falha causada pela instalação ou operação da unidade sob condições que não estejam em conformidade com as diretrizes de instalação e operação ou danificados devido a contatos com ferramentas ou arredores.
 - b. Falha da bomba ou válvula causada por chuva, umidade excessiva, ambientes corrosivos ou outros contaminantes.
 - c. Defeitos cosméticos que não interfiram com a funcionalidade do compressor..
 - d. Tanques enferrujados, incluindo mas não limitados a ferrugem devido a drenagem inadequada ou ambientes corrosivos.
 - e. Motores elétricos, válvulas de verificação e interruptores de pressão.
 - f. Torneiras de drenagem
 - g. Danos devido à voltagem incorreta ou instalação elétrica inadequada.
 - h. Outros itens não listados mas considerados como peças de desgaste geral.
 - i. Comutadores de pressão, reguladores de ar e válvulas de segurança modificadas dos ajustes de fábrica.
 2. Compressores lubrificados
 - a. Desgaste da bomba ou dano das válvulas causados pelo uso de óleo não especificado.
 - b. Danos à bomba ou válvulas causados pelo uso de óleos contaminados ou por falha em não haver seguido as instruções de manutenção corretamente.
 3. Compressores com correia/ acionamento direto/ motores a gasolina
 - a. Correias.
 - b. Desgaste de anel ou dano de válvulas devido à manutenção inadequada do filtro.
 - c. Ajustes manuais dos instrumentos de carga/descarga e válvula de estrangulamento.
7. RESPONSABILIDADES DO GARANTIDOR DE ACORDO COM ESTA GARANTIA: O reparo ou substituição do compressor ou do componente com defeito, que não esteja funcionando e/ou não obedeça à duração do período de garantia específica fica a critério do Fornecedor da Garantia.
8. RESPONSABILIDADES DO COMPRADOR DE ACORDO COM ESTA GARANTIA:
 - A. Fornecer comprovante de compra datado e registros de manutenção.
 - B. Os compressores ou componentes portáteis devem ser entregues ou remetidos ao mais próximo Centro de Serviço Autorizado da Campbell Hausfeld. Os custos de frete, se houver, devem ser por conta do comprador.
 - C. Usar cuidado adequado na operação e manutenção dos produtos conforme descrito no(s) manual(ais) do proprietário.
9. QUANDO O GARANTIDOR IRÁ CONSERTAR OU SUBSTITUIR DE ACORDO COM ESTA GARANTIA: Consertos ou substituições serão programados e realizados de acordo com o fluxo de trabalho normal no local de conserto e dependendo da disponibilidade da peças de substituição.

Esta garantia limitada é válida somente nos E.U.A., no Canadá e no México e oferece direitos legais específicos. Você pode também ter outros direitos que variam de um estado para outro (nos Estados Unidos), ou de um país para outro.

Sírvase leer y guardar estas instrucciones. Lea con cuidado antes de tratar de armar, instalar, manejar o darle servicio al producto descrito en este manual. Protéjase Ud. y a los demás observando todas las reglas de seguridad. El no seguir las instrucciones podría resultar en heridas y/o daños a su propiedad. Guarde este manual como referencia.



Compresor lubricado con aceite

Descripción

Este compresor residencial lubricado por aceite está diseñado para aficionados al bricolaje, para una variedad de trabajos en el hogar o en automóviles. Estos compresores alimentan pistolas de rociado, herramientas de impacto y otras herramientas. El aire comprimido producido por esta unidad contiene humedad. Instale un filtro para agua o un secador de aire si la aplicación requiere de aire seco.

Medidas de Seguridad

Este manual contiene información que es muy importante que sepa y comprenda. Esta información se la suministramos como medida de SEGURIDAD y para EVITAR PROBLEMAS CON EL EQUIPO. Debe reconocer los siguientes símbolos.

▲ PELIGRO Esto le indica que hay una situación inmediata que LE OCASIONARÍA la muerte o heridas de gravedad.

▲ ADVERTENCIA Esto le indica que hay una situación que PODRÍA ocasionarle la muerte o heridas de gravedad.

▲ PRECAUCIÓN Esto le indica que hay una situación que PODRÍA ocasionarle heridas no muy graves.

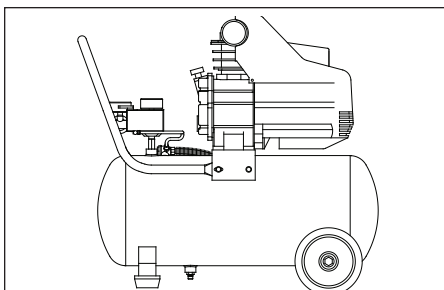
AVISO Esto le indica una información importante, que de no seguirla, le podría ocasionar daños al equipo.

Para Desempacar

Cuando desempaque la unidad, inspeccione cuidadosamente para verificar si se han producido daños durante el transporte. Asegúrese de apretar todos los accesorios, pernos, etc. que estén sueltos antes de poner la unidad en servicio. En el caso de que haya daño o partes que faltan, haga el favor de llamar al 1-800-543-6400 para obtener ayuda. Tenga a mano el número de serie, el número del modelo y la lista de partes (con las partes que faltan marcadas con un círculo) antes de llamar.



¡NO DEVUELVA EL PRODUCTO AL MINORISTA!



Registre en el espacio a continuación el No. del Modelo, el Número de Serie y la Fecha de Compra ubicados en la base debajo de la bomb.

No. del Modelo _____
No. de Serie _____
Fecha de Compra _____

Guarde estos números para referencia en el futuro.

Informaciones Generales de Seguridad

PROPOSICIÓN DE CALIFORNIA 65

▲ ADVERTENCIA Cuando corta

lija, taladra o pule materiales como por ejemplo madera, pintura, metal, hormigón, cemento, u otro tipo de mampostería se puede producir polvo. Con frecuencia este polvo contiene productos químicos que se conocen como causantes de cáncer, defectos congénitos u otros daños reproductivos. Use equipo de protección.



▲ ADVERTENCIA Este producto o su cable de corriente contienen productos químicos conocidos por el Estado de California como causantes de cáncer y defectos de nacimiento u otros daños reproductivos. Lávese las manos después de manipularlo.

Informaciones Generales

▲ ADVERTENCIA No debe utilizar la unidad si se ha

▲ PELIGRO

Advertencia sobre el aire respirable

Este compresor/cabezal no viene listo de fábrica para suministrarle aire respirable. Antes de utilizarlos con este fin, deberá instalarle un sistema de seguridad y alarma incorporado a la línea. Este sistema adicional es necesario para filtrar y purificar el aire adecuadamente, para cumplir con las especificaciones mínimas sobre aire respirable de Grado D descritas en la Especificación de Productos G 7.1 - 1966 de la Asociación de Aire Compri-mido. Igualmente, deberá cumplir los requisitos establecidos por el Artículo 29 CFR 1910. 134 de la Organización norteamericana OSHA y/o la Canadian Standards Associations (CSA).

RENUNCIA A LAS GARANTIAS

Si el compresor se utiliza para producir aire respirable sin utilizar simultáneamente el equipo de seguridad y alarma en línea, todas las garantías existentes se anularán y el fabricante no asumirá ninguna responsabilidad por pérdidas, heridas personales o daños.

dañado durante el envío, manejo o uso. Los daños podrían ocasionar una explosión y ocasionarle heridas o daños a su propiedad.

▲ ADVERTENCIA No lo haga funcionar sin supervisión. El dejar el compresor en la posición AUTO puede causar que se encienda inadvertidamente. Para prevenir que eso ocurra y posibles daños por un aumento de tensión, apague el compresor después de cada uso.

Como el compresor de aire y demás componentes (filtros, lubricantes, mangueras, etc.) que se utilizan conforman un sistema de bombeo de alta presión, deben seguirse en todo

RECORDATORIO: ¡Guarde su comprobante de compra con fecha para fines de la garantía!

Adjúntela a este manual o archívela en lugar seguro.

Informaciones Generales de Seguridad (Continuación)

momento las siguientes precauciones de seguridad:

1. Lea con cuidado todos los manuales incluidos con este producto. Familiarícese con los controles y el uso adecuado del equipo.



2. Siga todos los códigos de seguridad laboral y electricidad establecidos en su país, por ejemplo los de la NEC y OSHA en EUA.

3. Este compresor sólo debe ser usado por personas que estén bien familiarizadas con las reglas de seguridad y de manejo.

4. Mantenga a los visitantes alejados y NUNCA permita la presencia de niños en el área de trabajo.

5. Siempre use anteojos de seguridad y protéjase los oídos para operar el cabezal o el compresor.



6. No se encarama sobre el cabezal, ni lo use para sostenerse.

7. Antes de cada uso, inspeccione el sistema de aire comprimido y los componentes eléctricos, para ver si están dañados, deteriorados, desgastados o tienen fugas. Repare o reemplace las piezas dañadas antes de usar el equipo.

8. Chequee todas las conexiones frecuentemente para cerciorarse de que estén bien apretadas.

ADVERTENCIA Los motores, equipos eléctricos y controles pueden ocasionar arcos eléctricos que encenderían gases o vapores inflamables. Nunca maneje ni repare la unidad en las proximidades de gases o vapores inflamables. Nunca almacene líquidos o gases inflamables cerca del compresor.



PRECAUCION Las piezas del compresor podrían estar calientes, inclusive cuando la unidad esté apagada.



9. Mantenga los dedos alejados del compresor cuando esté funcionando; las piezas en movimiento o calientes, le ocasionarían heridas y/o quemaduras.

10. Si el equipo comienza a vibrar excesivamente, APAGUE el motor y chequéelo inmediatamente para determinar la razón. Generalmente, la vibración excesiva se debe a una falla.

11. Para reducir el peligro de incendio, mantenga el exterior del motor libre de aceite, solventes o exceso de grasa.



ADVERTENCIA Nunca debe desconectar o tratar de ajustar las válvulas de seguridad. Igualmente, debe evitar que se le acumule pintura u otros materiales.

PELIGRO

¡Nunca trate de reparar o modificar el tanque! Si lo suelda, taladra o modifica de cualquier otra manera, el tanque se debilitará y se podría dañar, romperse o explotar. Siempre reemplace los tanques desgastados, rotos o dañados.



ADVERTENCIA Drene el tanque diariamente.

12. Los tanques se oxidan debido a la acumulación de humedad y esto debilita el tanque. Cerciórese de drenar el tanque con regularidad e inspecciónelo periódicamente para ver si está en malas condiciones, por ejemplo si está oxidado.

13. La circulación rápida de aire podría levantar polvo y desperdicios dañinos. Siempre libere el aire lentamente para drenar el tanque o liberar la presión del sistema.

PRECAUCIONES PARA ROCIAR

ADVERTENCIA Nunca rocíe materiales inflamables cerca de llamas al descubierto o fuentes de ignición incluyendo el compresor.

14. No fume mientras esté rociando pintura, insecticidas u otras sustancias inflamables.

15. Use una máscara/respirador cuando vaya a rociar y siempre rocíe en un área bien ventilada para evitar peligros de salud e incendios.



16. Nunca rocíe la pintura y otros materiales, directamente hacia el compresor. Coloque el compresor lo más lejos posible del área de trabajo, para minimizar la acumulación de residuos en el compresor.

17. Al rociar o limpiar con solventes o químicos tóxicos, siga las instrucciones del fabricante de dichos químicos.

Ensamblaje

ENSAMBLE DEL MANGO (Figura 1)

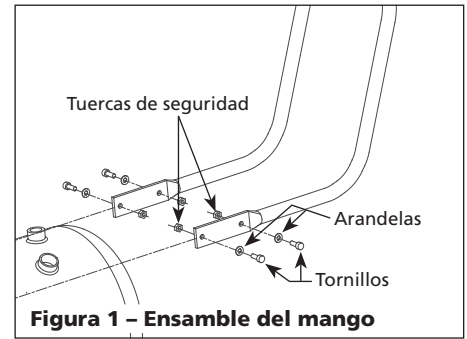


Figura 1 – Ensamble del mango

1. Coloque los extremos del mango alrededor del tanque, detrás de la placa de montaje. Alinee los orificios del mango con los orificios de la placa de montaje.
2. Ensamble 4 (cuatro) tornillos y arandelas (del paquete de piezas) a través de los orificios de la placa de montaje y del mango. Asegure con contratuercas.

ADVERTENCIA Nunca use el mango para levantar la unidad completamente. Use el mango solamente para levantar un extremo para que las ruedas puedan usarse para mover la unidad.

MONTAJE DE LA RUEDA (Figura 2)

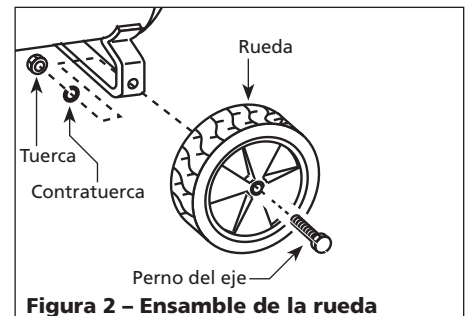


Figura 2 – Ensamble de la rueda

El juego del ensamble de la rueda incluye:

- 2 ruedas*
- 2 pernos de eje*
- 2 arandelas de presión*
- 2 tuercas*

Los artículos marcados con asterisco (*) se despacharon sueltos con la unidad.

1. La rueda tiene un cubo descentrado. Con el cubo descentrado hacia el hierro del eje, ensamble los pernos del eje a través de los orificios de la rueda y del hierro del eje.
2. Coloque la arandela de presión en el perno del eje. Luego apriete la tuerca de modo seguro a la parte roscada del perno del eje.

Ensamblaje (Continuación)

3. Repita el procedimiento con el otro lado.

LUBRICACION

⚠ PRECAUCION *¡ESTA UNIDAD SE ENVÍA SIN ACEITE*

EN LA BOMBA! *Siga las instrucciones de lubricación antes de utilizar el compresor.*

Use el aceite que se envía con el compresor. **No utilice aceite automotriz común como por ejemplo 10W-30.** Los aditivos existentes en el aceite de motor común pueden causar la acumulación de depósitos y reducir la vida útil de la bomba. Para que la bomba tenga una máxima vida útil, drene y cambie el aceite después de las primeras horas de funcionamiento.

La bomba del compresor lleva aproximadamente 280 ml (9,5 onzas) de aceite. La ventanilla, ubicada en la caja del cigüeñal de la bomba, tiene marcas para niveles "max" y "min". Evite llenar en exceso, agregando aceite en forma gradual y verificando el ventanilla varias veces con la varilla de medición de aceite. Agregue suficiente aceite para que llegue al nivel marcado con "máx" en el visor de vidrio. El nivel adecuado de aceite está ilustrado en la Figura 3.

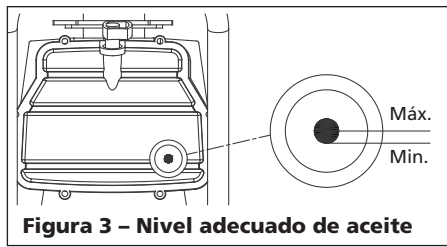


Figura 3 - Nivel adecuado de aceite

FILTRO DE ENTRADA

Enrosque el filtro de entrada de aire en la abertura roscada que se encuentra en uno de los lados del cabezal del compresor, según se ilustra en la Figura 4. Apriete cuidadosamente con una llave.

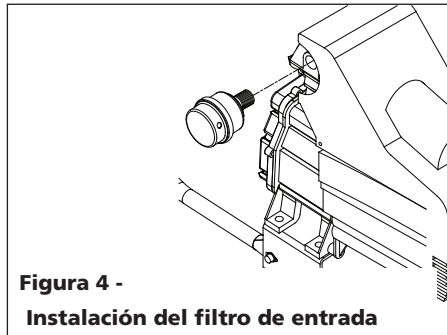


Figura 4 - Instalación del filtro de entrada

Instalación

COLOCACIÓN

Es de suma importancia instalar el compresor en un lugar limpio y bien ventilado donde la temperatura ambiente no sea mayor de 38° C (100°F).

Se requiere un espacio mínimo de 45,7 cm (18 in.) entre el compresor y la pared, ya que los objetos podrían obstruir el paso de aire.

⚠ PRECAUCION *No coloque la entrada de aire del compresor cerca de áreas con vapor, vapores de pintura, chorros de arena o cualquier otra fuente de contaminación. Los desperdicios dañarán el motor.*

INSTALACIÓN ELÉCTRICA

⚠ ADVERTENCIA *Todas las conexiones eléctricas y el alambrado deberán ser llevados a cabo por un electricista profesional. La instalación debe estar conforme con los códigos locales y los códigos nacionales sobre electricidad.*

ALAMBRADO

1. Los códigos eléctricos varían de un área a otra. Sin embargo, el alambrado, enchufe y protectores se deben seleccionar según las especificaciones de amperaje y voltaje indicados en la placa del motor y cumplir con las especificaciones mínimas.
2. Use fusibles de acción retardada tipo T o un cortacircuito.
3. Cerciórese de conectarlo a un tomacorrientes cuya configuración sea similar a la del enchufe. Este producto se debe conectar a tierra. En caso de que ocurra un cortocircuito, ésto evitaría el riesgo de choque eléctrico al ofrecerle un cable de desvío a la corriente eléctrica. Este producto tiene un cordón con un alambre y terminal de conexión a tierra. Debe conectarlo a un tomacorrientes que esté instalado adecuadamente según los códigos y ordenanzas locales.

⚠ PRECAUCION *Si no conecta adecuadamente los cables podría haber cortocircuitos, incendios, sobrecalentamiento, etc.*

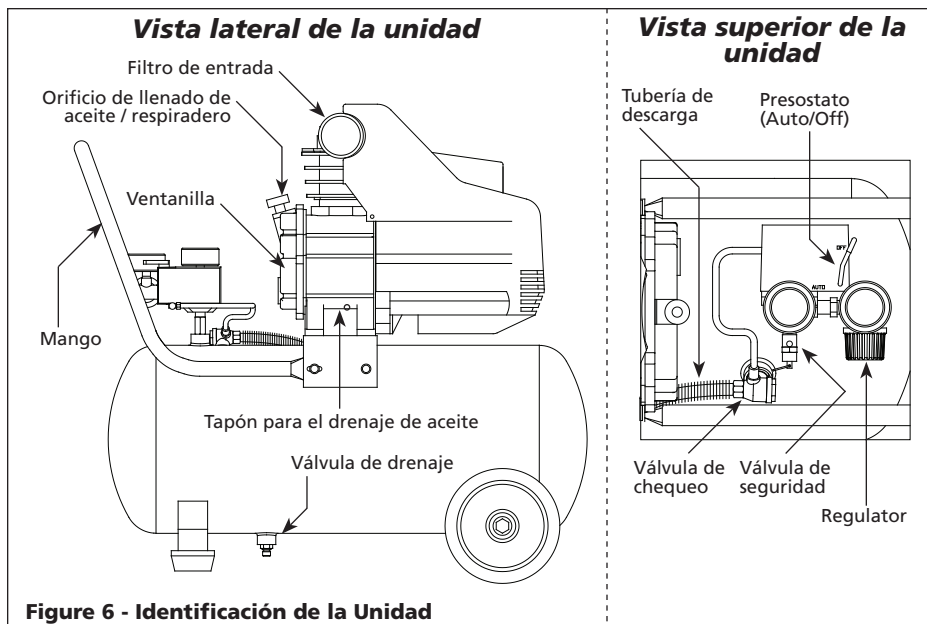


Figure 6 - Identificación de la Unidad

Longitud del cordón (m)	7,62	15,24	30,46
Calibre del cordón	14	12	10

Funcionamiento

- **Presostato** - Automático (Figura 7) - En la posición **AUTO** el compresor se apaga automáticamente cuando la presión del tanque alcanza el nivel máximo fijado en la fábrica. En la posición **OFF**, el compresor no funcionará. El presostato debe colocarse en **OFF** para conectar o desconectar el cordón eléctrico del tomacorrientes o para cambiar la herramienta neumática.

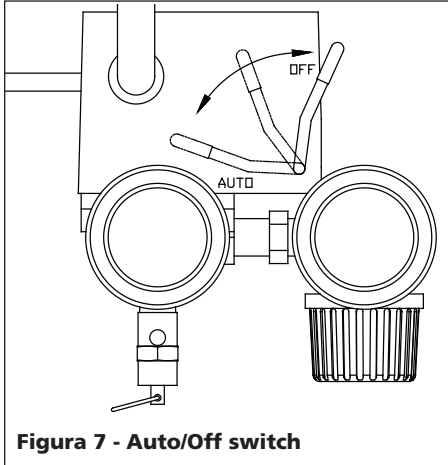


Figura 7 - Auto/Off switch

- **Regulador** - El regulador controla la cantidad de presión de aire expulsada por la manguera.
- **Válvula de seguridad ASME** - Esta válvula automáticamente libera el aire si la presión del tanque excede el valor máximo fijado de fábrica.
- **Tubería de descarga** - Esta tubería transporta el aire comprimido del cabezal a la válvula de chequeo. Esta tubería se calienta excesivamente durante el uso. Para evitar quemaduras graves, nunca la toque.
- **Válvula de chequeo** - Esta válvula solo permite que el aire entre al tanque y evita que éste se regrese al cabezal.
- **Mango** - Diseñado para mover el compresor.

⚠ ADVERTENCIA *Nunca use el mango de las unidades con ruedas para levantar completamente la unidad.*

- **Llave de drenaje** - Esta válvula está ubicada debajo del tanque. Úsela para drenar la humedad del tanque diaria-mente, para evitar que el tanque se oxide.

HUMEDAD EN EL AIRE COMPRIMIDO

La humedad que se acumula en el aire comprimido se convierte en gotas a medida que sale del cabezal del compresor de aire. Cuando el nivel de humedad es muy alto o cuando el compresor ha estado en uso continuo por mucho tiempo, ésta se acumulará en el tanque. Al usar una pistola pulverizadora de pintura o una rociadora de arena, la humedad saldrá a través de la manguera mezclada con el material que esté rociando.

IMPORTANTE: Esta condensación ocasionará manchas en la superficie pintada, especialmente cuando esté pulverizando pinturas que no sean a base de agua. Al rociar arena ésta ocasionará que la arena se aglutine y obstruya la pistola, reduciendo su eficacia. Para eliminar este problema, instale un filtro en la línea de aire (MP3105), lo más cerca posible de la pistola.

Reduzca la presión del tanque a menos de 0,69 bar, después drene la humedad del tanque diariamente para evitar que se oxide. Para drenar los tanques abra la llave ubicada debajo del tanque.

ANTES DE ARRANCARLO POR PRIMERA VEZ PROCEDIMIENTO DE ABLANDE

Complete este procedimiento antes de usar el compresor por primera vez. Una vez completado, no es necesario repetirlo.)

1. Gire la perilla del regulador totalmente hacia la derecha para abrir el flujo de aire.
2. Coloque el interruptor de encendido/apagado en la posición OFF (apagado).
3. Enchufe el cable de corriente.
4. Gire el interruptor de encendido/apagado a la posición AUTO (encendido) y haga funcionar el compresor durante 30 minutos.
5. Coloque el interruptor de encendido/apagado en la posición OFF (apagado).
6. Desenchufe el cordón eléctrico – abra la válvula de drenaje.

Ahora el compresor está listo para ser usado.

ANTES DE CADA PROCEDIMIENTO DE ARRANQUE FUNCIONAMIENTO

1. Gire la perilla del regulador totalmente hacia la izquierda.
2. Conecte la manguera de aire a la salida del regulador.
3. Coloque el interruptor de encendido/apagado en la posición OFF (apagado).
4. Enchufe el cable de corriente.

5. Gire el interruptor de encendido/apagado a la posición AUTO (encendido) y deje que el compresor funcione hasta que alcance la presión de apagado automático.
6. Conecte la boquilla para inflar neumáticos u otra herramienta al extremo de la manguera.
7. Gire la perilla del regulador hacia la derecha hasta la presión deseada para la herramienta que esté usando.

Ciclo de encendido/apagado del compresor

En la posición AUTO (encendido), el compresor bombea aire dentro el tanque. Cuando se alcanza la presión de apagado (“corte” preestablecido), el compresor se apaga automáticamente. Si se deja el compresor en la posición AUTO (encendido) y el aire sale del tanque al usar una boquilla para inflar neumáticos, una herramienta, etc., el compresor se reiniciará automáticamente a su presión de “corte” preestablecida. Cuando se use una herramienta en forma continua, el compresor cumplirá un ciclo de encendido y apagado en forma automática.

En la posición OFF (apagado), el interruptor de presión no puede funcionar y el compresor no se pondrá en funcionamiento. Asegúrese de que el interruptor esté en la posición OFF cuando conecte o desconecte el cable de corriente del tomacorriente.

VALVULA DE SEGURIDAD ASME

⚠ ADVERTENCIA *Nunca desconecte o trate de ajustar la válvula de seguridad ASME.*

Revise la válvula de seguridad siguiendo los siguientes pasos:

1. Enchufe el compresor y hágalo funcionar hasta que se alcance

Funcionamiento (Continuación)

la presión de corte (consulte Funcionamiento).

- Usando gafas de protección, tire del anillo de la válvula de seguridad (vea las Figuras 6 y 8) para liberar la presión del tanque del compresor. Use su otra mano para desviar el aire que se mueve a gran velocidad y evitar que le dé en el rostro.

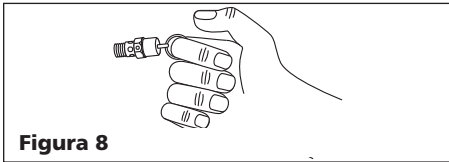


Figura 8

- Esta válvula de seguridad debería cerrarse automáticamente a 2,76 bar - 3,45 bar. Si la válvula de seguridad no deja salir aire cuando tira del anillo o si no se cierra automáticamente, DEBE ser reemplazada.

ADVERTENCIA Se debe reemplazar la válvula de seguridad si no se puede accionar o si tiene una fuga de aire después de liberar el anillo.

MANÓMETROS

El manómetro conectado al regulador indica la presión de aire que pasa por la manguera (y por cualquier herramienta conectada al extremo de la manguera).

El manómetro conectado al interruptor de presión indica la presión de aire en el tanque.

Mantenimiento

ADVERTENCIA

Desconecte el cordón eléctrico del tomacorrientes y libere toda la presión del sistema antes de tratar de instalar, darle servicio, cambiar de lugar o darle cualquier tipo de mantenimiento.



Este compresor se debe chequear con frecuencia para ver si tiene algún tipo de problemas y le debe dar el siguiente mantenimiento antes de cada uso.

- Apague el compresor y libere la presión del sistema. Para liberar la presión del sistema, tire del anillo de la válvula de seguridad ASME (vea las Figuras 6 y 8). Desvíe el aire cubriendo la válvula con una mano mientras tira del anillo con la otra

mano.) Tire del anillo hasta vaciar el tanque.

PRECAUCION Cuando se abra la válvula de seguridad con presión en el tanque, se liberará una gran cantidad de aire que se mueve a gran velocidad. Use gafas de seguridad Z87.1 aprobadas por ANSI.

- Drene la humedad del tanque abriendo la válvula de drenaje debajo del tanque (Figura 6). Incline el tanque para eliminar toda la humedad.
- Limpié el polvo y la suciedad del tanque, las líneas de aire y la cubierta de la bomba, mientras el compresor continúa apagado (OFF).

CAMBIOS DE ACEITE

- Encienda el compresor de modo que el aceite se caliente. Desenchufe la unidad.
- Coloque un recipiente debajo del extremo del cabezal.
- Desconecte la unidad del tomacorrientes (Figura 6). Quite el tapón del orificio de lubricación y vierta el aceite dentro del recipiente. Vire un poco la unidad para drenar el aceite completamente.
- Colóquelo el tapón al orificio de drenaje, llene el cabezal de aceite hasta que el medidor le indique que está lleno (full). Use aceite sintético Chevron 5W-30, aceite Mobil 1 5W-30 ó aceite sintético para motores 10W-30 en este compresor. Si usa otros tipos de aceite podría tener problemas para encenderlo.

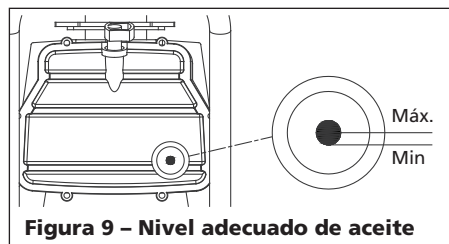


Figura 9 – Nivel adecuado de aceite

- Cambie el aceite cada 50 horas de uso..

MANTENIMIENTO DEL FILTRO DE ENTRADA DE AIRE

Remoción, inspección y cambio – (Figura 10)

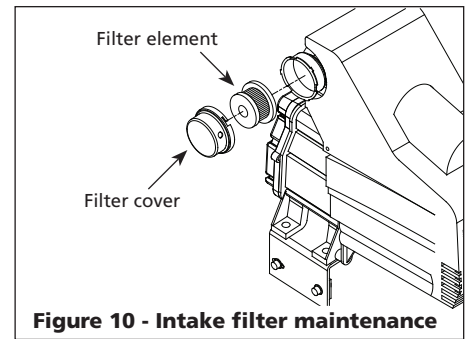


Figure 10 - Intake filter maintenance

El filtro de entrada deberá retirarse y verificarse en forma periódica. Un filtro de aire obstruido puede disminuir el rendimiento del compresor y provocar su recalentamiento.

- Gire la cubierta del filtro hacia la izquierda y retírela.
- Retire el filtro e inspecciónelo.
- Si el filtro está sucio u obstruido, cámbielo.
- Vuelva a instalar el filtro y la cubierta.

IMPORTANTE: Para prevenir que el exceso de pulverización atore el filtro, coloque la unidad tan lejos del área de pulverización como le permita la manguera.

SECCIÓN DEL PROTECTOR DE LA SOBRECARGA

PRECAUCION Este compresor está equipado con un protector de sobrecarga con reinicio automático que apagará el motor si este se sobrecarga.

Si el protector apaga el motor con mucha frecuencia puede ser por lo siguiente:

- Voltaje bajo.
- El filtro de aire está atascado.
- La ventilación es inadecuada.

PRECAUCION Se o protetor de sobrecarga for acionado, espere o motor esfriar durante 30 minutos antes de ser reconfigurado.

ALMACENAMIENTO

- Drene la humedad del tanque.
- Cuando no esté en uso, guarde el compresor en un lugar fresco y seco.
- Desconecte la manguera y cuélguela con los extremos abiertos hacia abajo, para permitir que drene toda la humedad.

Guía de diagnóstico de averías

Problema	Posible(s) Causa(s)	Acción a tomar
El compresor no funciona	<ol style="list-style-type: none"> 1. El interruptor está en la posición OFF (apagado) 2. No hay corriente eléctrica en el tomacorriente de la pared 3. El compresor alcanzó la presión de corte automático 4. Motor sobrecargado 5. Interruptor de presión defectuoso 	<ol style="list-style-type: none"> 1. Asegúrese de que el compresor esté enchufado y que el interruptor esté en la posición ON (encendido). 2. Revise el disyuntor o fusible en el panel de electricidad. 3. Libere aire del tanque hasta que el compresor se reinicie automáticamente. 4. Deje que el compresor se enfríe durante 30 minutos aproximadamente. Asegúrese de que el compresor esté funcionando en un área limpia y bien ventilada. 5. Cambie el interruptor de presión.
El motor zumba pero no enciende o funciona lento	<ol style="list-style-type: none"> 1. Válvula de retención defectuosa 2. Válvula de descarga defectuosa (en el interruptor de presión) 3. Bajo voltaje 4. Conexiones eléctricas sueltas 5. Calibre del cable o largo del cordón de extensión incorrectos 6. Condensador del motor defectuoso 7. Bobinado del motor en corto circuito o abierto 	<ol style="list-style-type: none"> 1. Repare o reemplace. 2. Repare o reemplace. 3. Verifique el voltaje en el tomacorriente de pared con un voltímetro. 4. Verifique todas las conexiones eléctricas. 5. Verifique el cuadro del cordón de extensión para ver el correcto uso del mismo. 6. Reemplace el condensador 7. Vuelva a colocar el ensamble del motor.
<p>⚠ PELIGRO <i>No desensamble la válvula de retención con aire en el tanque; purgue el tanque.</i></p>		
El flujo sale/ el disyuntor falla a menudo	<ol style="list-style-type: none"> 1. Fusible de tamaño incorrecto, circuito sobrecargado 2. Calibre del cable o largo del cordón de extensión incorrectos 3. Válvula de retención defectuosa 4. Válvula de descarga defectuosa (en el interruptor de presión) 5. Condensador del motor defectuoso 6. Motor en cortocircuito o atascado 	<ol style="list-style-type: none"> 1. Verifique que el fusible sea el adecuado. Use un fusible de tiempo de retardo. Desconecte los demás accesorios eléctricos del circuito, o haga funcionar el compresor en su propio ramal del circuito. 2. Verifique el cuadro del cordón de extensión para ver el correcto uso del mismo. 3. Repare o reemplace. 4. Repare o reemplace. 5. Reemplace el condensador 6. Vuelva a colocar el ensamble del motor.
<p>⚠ PELIGRO <i>No desensamble la válvula de retención con aire en el tanque; purgue el tanque.</i></p>		
El protector térmico de sobrecarga detiene el funcionamiento reiteradamente	<ol style="list-style-type: none"> 1. Bajo voltaje 2. Calibre del cable o largo del cordón de extensión incorrectos 3. Filtro de entrada obstruido 4. Falta de ventilación adecuada/ temperatura ambiente demasiado alta 5. Válvula de retención defectuosa 6. Válvula de descarga defectuosa (en el interruptor de presión) 7. Fallaron las válvulas del compresor 	<ol style="list-style-type: none"> 1. Verifique el voltaje en el tomacorriente de pared con un voltímetro. 2. Verifique el cuadro del cordón de extensión para ver el correcto uso del mismo. 3. Limpie o reemplace el filtro. 4. Mueva el compresor a un área bien ventilada. 5. Repare o reemplace. 6. Repare o reemplace. 7. Reemplace el ensamble de la válvula.
<p>⚠ PELIGRO <i>No desensamble la válvula de retención con aire en el tanque; purgue el tanque.</i></p>		
Golpeteos, zumbidos, y/o vibración excesiva.	<ol style="list-style-type: none"> 1. Pernos de montaje sueltos 2. El tanque no está nivelado 3. El cilindro o pistón está desgastado/marcado 	<ol style="list-style-type: none"> 1. Ajuste los pernos. 2. Utilice una cuña/objeto fuerte para poner el tanque a nivel. 3. Reemplace o repare según sea necesario.

Guía de diagnóstico de averías

Problema	Posible(s) Causa(s)	Acción a tomar
La presión del tanque disminuye cuando se apaga el compresor	<ol style="list-style-type: none"> Válvula de drenaje floja Fugas en la válvula de retención Conexiones flojas en los accesorios, tubería, etc. Fugas del tanque 	<ol style="list-style-type: none"> Ajuste. Retire la válvula de retención. Limpie o reemplace. Revise todas las conexiones con una solución de agua y jabón. Si detecta una fuga, (1) ajuste o (2) retire las conexiones y aplique cinta para tuberías en las roscas, y vuelva a ensamblar. Revise el tanque en busca de fugas con una solución de agua y jabón. Si detecta una fuga, se deberá reemplazar el tanque con una pieza de repuesto original.
<p>⚠ PELIGRO <i>No desensamble la válvula de retención con aire en el tanque; purgue el tanque.</i></p>		
El compresor funciona en forma continua y la salida de aire es más baja que la presión de descarga normal/baja.	<ol style="list-style-type: none"> Uso excesivo de aire, el compresor es demasiado pequeño Filtro de entrada obstruido Conexiones flojas en los accesorios, tubería, etc. Fugas del tanque Válvulas rotas Aro del pistón desgastado 	<ol style="list-style-type: none"> Disminuya el uso o compre una unidad que ofrezca una entrega de aire mayor (SCFM). Limpie o reemplace. Revise todas las conexiones con una solución de agua y jabón. Si detecta una fuga, (1) ajuste o (2) retire las conexiones y aplique cinta para tuberías en las roscas, y vuelva a ensamblar. Revise el tanque en busca de fugas con una solución de agua y jabón. Si detecta una fuga, se deberá reemplazar el tanque con una pieza de repuesto original. Reemplace las válvulas del compresor según sea necesario. Reemplace el pistón y el cilindro.
Exceso de humedad en el aire de descarga	<ol style="list-style-type: none"> Demasiada agua en el tanque Humedad elevada 	<ol style="list-style-type: none"> Drene el tanque. Llévelo a un área menos húmeda, utilice un filtro de aire de línea. <p>NOTA: La condensación de agua no es una causa para el mal funcionamiento del compresor.</p>
El compresor funciona en forma continua y la válvula de seguridad se abre cuando aumenta la presión	<ol style="list-style-type: none"> Presostato defectuoso Válvula de seguridad defectuosa 	<ol style="list-style-type: none"> Reemplace el interruptor. Cambie la válvula de retención con un repuesto original.
Arranques y paradas excesivas (encendido automático)	<ol style="list-style-type: none"> Demasiada condensación en el tanque Conexiones flojas en los accesorios, tubería, etc. Fugas del tanque 	<ol style="list-style-type: none"> Drene con más frecuencia. Revise todas las conexiones con una solución de agua y jabón. Si detecta una fuga, (1) ajuste o (2) retire las conexiones y aplique cinta para tuberías en las roscas, y vuelva a ensamblar. Revise el tanque en busca de fugas con una solución de agua y jabón. Si detecta una fuga, se deberá reemplazar el tanque con una pieza de repuesto original.
<p>⚠ PELIGRO <i>No desensamble la válvula de retención con aire en el tanque; purgue el tanque.</i></p>		
Fuga de aire en la válvula de descarga en el interruptor de presión	<ol style="list-style-type: none"> Válvula de retención atascada en la posición de abierto Válvula de descarga atascada en la posición de abierto 	<ol style="list-style-type: none"> Repáre o cambie la válvula de retención. Repáre o cambie la válvula de descarga.
<p>⚠ PELIGRO <i>No desensamble la válvula de retención con aire en el tanque; purgue el tanque.</i></p>		

Garantía Limitada

1. DURACION: A partir de la fecha de compra por el comprador original tal como se especifica a continuación: Un Año.
 2. QUIEN OTORGA ESTA GARANTIA (EL GARANTE: Campbell Hausfeld / The Scott Fetzer Company 100 Production Drive, Harrison, Ohio 45030 Teléfono: (800) 543-6400.
 3. QUIEN RECIBE ESTA GARANTIA (EL COMPRADOR): El comprador original (que no sea un revendedor) del producto Campbell Hausfeld.
 4. PRODUCTOS CUBIERTOS POR ESTA GARANTIA: este compresor de aire Campbell Hausfeld.
 5. COBERTURA DE LA GARANTIA: Los defectos substanciales de material y fabricación que ocurran dentro del período de validez de la garantía.
 6. LO QUE NO ESTA CUBIERTO POR ESTA GARANTIA:
 - A. Las garantías implícitas, incluyendo aquellas de comercialidad E IDONEIDAD PARA FINES PARTICULARES, ESTAN LIMITADOS A LO ESPECIFICADO EN EL PARRAFO DE DURACION. Si el compresor de aire es empleado para uso comercial, industrial o para renta, la garantía será aplicable por noventa (90) días a partir de la fecha de compra. En algunos estados no se permiten limitaciones a la duración de las garantías implícitas, por lo tanto, en tales casos esta limitación no es aplicable.
 - B. CUALQUIER PERDIDA DAÑO INCIDENTAL, INDIRECTO O CONSECUENTE QUE PUEDA RESULTAR DE UN DEFECTO, FALLA O MALFUNCIONAMIENTO DEL PRODUCTO CAMPBELL HAUSFELD. En algunos estados no se permite la exclusión o limitación de daños incidentales o consecuentes, por lo tanto, en tales casos esta limitación o exclusión no es aplicable
 - C. Cualquier falla que resulte de un accidente, abuso, negligencia o incumplimiento de las instrucciones de funcionamiento y uso indicadas en el (los) manual(es) que se adjunta(n) al compresor.
 - D. Servicio previo a la entrega, p. ej. ensamblado, aceite o lubricantes y ajuste.
 - E. Artículos o servicio que se requieren normalmente para mantener el producto, p. ej. lubricantes, filtros y juntas, etc.
 - F. Los motores de gasolina están específicamente excluidos de la cobertura de esta garantía limitada. El comprador debe seguir las cláusulas de la garantía otorgada por el fabricante del motor de gasolina que se suministra con el producto.
 - G. Artículos adicionales no cubiertos bajo esta garantía:
 1. Todos los Compresores
 - a. Cualquier componente dañado durante el envío o cualquier daño ocasionado por haber instalado u operado la unidad bajo condiciones contrarias a lo indicado en las instrucciones para instalar u operar la unidad o daños ocasionados por el contacto con herramientas o los alrededores.
 - b. Daños del cabezal o las válvulas ocasionados por la lluvia, humedad excesiva, agentes corrosivos u otros contaminantes.
 - c. Daños de apariencia que no afecten el funcionamiento del compresor.
 - d. Tanques oxidados, incluyendo pero no limitado al óxido debido al drenaje inadecuado u agentes corrosivos en el ambiente.
 - e. Motores eléctricos, válvulas de retención e interruptores de presión.
 - f. Llaves de drenaje
 - g. Daños debidos al alambrado incorrecto o conexión a circuitos con voltaje inadecuados para la unidad.
 - h. Otros artículos no enumerados pero considerados de desgaste general.
 - i. Presostatos, controles de flujo de aire y válvulas de seguridad cuyos parametros fijados de fábrica se modifiquen.
 2. Compresores lubricados
 - a. Daños del cabezal o las válvulas debidos al uso de aceites no especificados.
 - b. Daños del cabezal o las válvulas debidos a cualquier contaminación del aceite o por no haber seguido las instrucciones de lubricación.
 3. Compresores con bandas/ de accionamiento directo/ motores de gasolina
 - a. Bandas
 - b. Daños de los anillos debido al mantenimiento inadecuado del filtro.
 - c. Ajustes manuales de los instrumentos de carga/descarga y válvula de estrangulación.
 7. RESPONSABILIDADES DEL GARANTE BAJO ESTA GARANTIA: Reparar o reemplazar, como lo decida el Garante, el compresor o componentes que estén defectuosos, se hayan dañado o hayan dejado de funcionar adecuadamente, durante el período de validez de la garantía
 8. RESPONSABILIDADES DEL COMPRADOR BAJO ESTA GARANTIA:
 - A. Suministrar prueba fechada de compra y la historia de mantenimiento del producto.
 - B. Entregar o enviar los compresores de aire portátiles o componentes al Centro de Servicio autorizado Campbell Hausfeld más cercano. Los gastos de flete, de haberlos, deben ser pagados por el comprador.
 - C. Tener cuidado al utilizar el producto, tal como se indica(n) en el (los) manual(es) del propietario.
 9. CUANDO EFECTUARA EL GARANTE LA REPARACION O REEMPLAZO CUBIERTO BAJO ESTA GARANTIA: La reparación o reemplazo dependerá del flujo normal de trabajo del centro de servicio y de la disponibilidad de repuestos.
- Esta garantía limitada es válida sólo en los EE.UU., Canadá y México y otorga derechos legales específicos. Usted también puede tener otros derechos que varían de un Estado a otro. o de un país a otro.
-